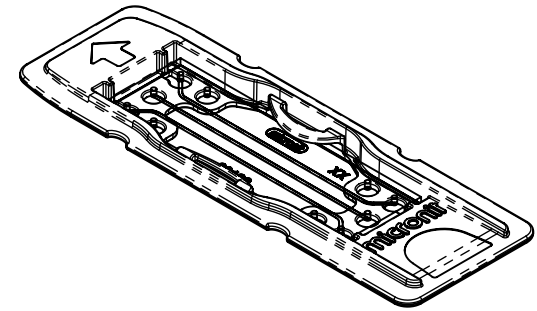
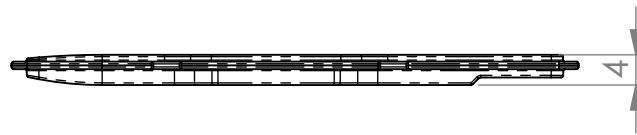
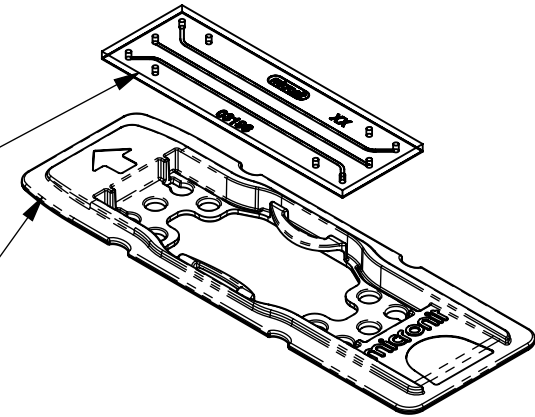


A-A (2 : 1)



03196 - Glass chip element, see sheet 2

11000242/ 110032303 Fluidic slide black or grey



Item number		11003196	11006345
Hydrophobic coated		No	Yes
Fluidic slide		Black	Grey
Zone	Rev	REVISION NOTE	Mod By
			App By
			App Date



ITEM NUMBER:
11003196 / 11006345

DRAWN BY: JS
DRAWN DATE: 18 Mar 2024

TITLE:
Flow cell chip 0.5mm width

THIRD ANGLE PROJECTION

PROJECT NO:
EXT. REF.:

PROPRIETARY AND CONFIDENTIAL
THE INFORMATION CONTAINED IN THIS DRAWING IS THE SOLE PROPERTY OF MICRONIT BV. ANY REPRODUCTION IN PART OR AS A WHOLE WITHOUT THE WRITTEN PERMISSION OF MICRONIT BV IS PROHIBITED.

UNLESS OTHERWISE SPECIFIED:
- DIMENSIONS ARE IN MILLIMETERS
- LINEAR TOLERANCES: ± 0.1
- ANGULAR TOLERANCES: ± 5°

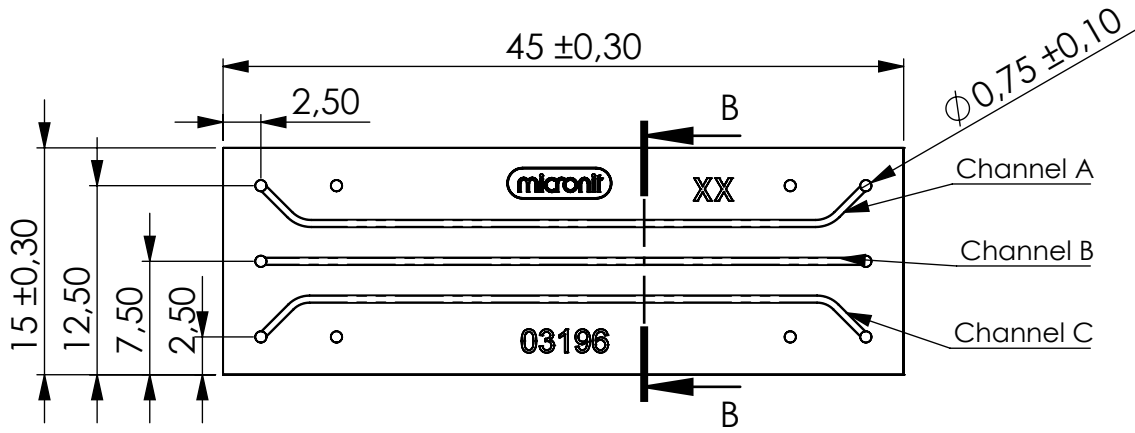
MATERIAL:
Borosilicate glass,
D263 Eco

DWG NO.
42009529

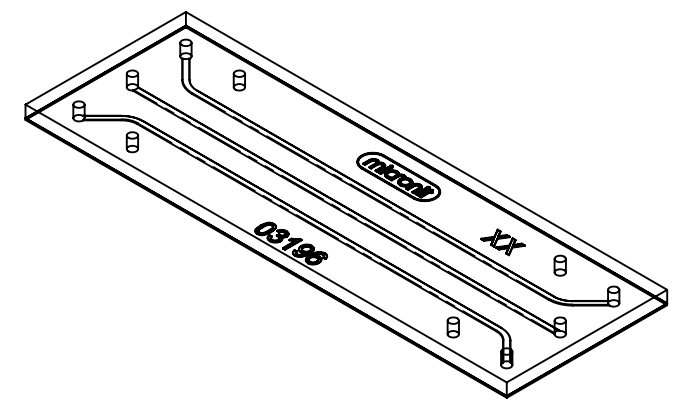
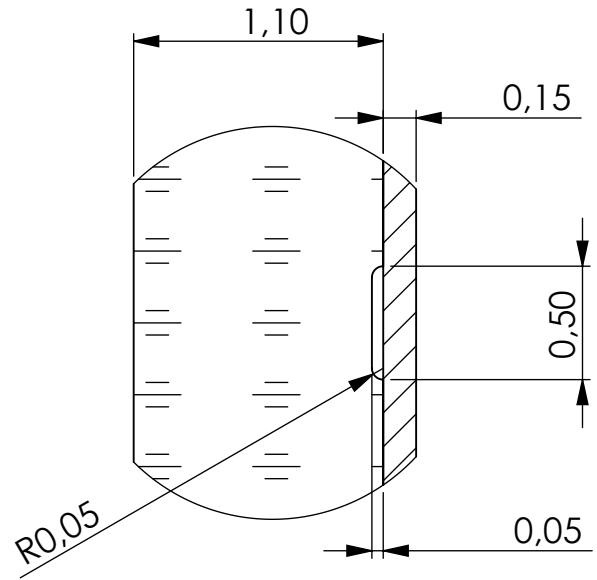
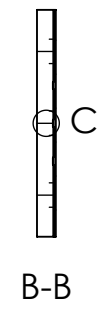
REVISION
0

DO NOT SCALE DRAWING

SCALE: 1:1
SHEET FORMAT: A4
SHEET 1 OF 2



	Width [mm]	Length [mm]	Volume [μ l]
Channel A	0.5	42	1.0
Channel B	0.5	40	0.9
Channel C	0.5	42	1.0



Zone	Rev	REVISION NOTE	Mod By	App By	App Date
	*				

C (30 : 1)



ITEM NUMBER:
03196

THIRD ANGLE PROJECTION

DRAWN BY: JS
 DRAWN DATE: 18 Mar 2024
 PROJECT NO:
 EXT. REF.:

TITLE:
Glass chip element - Flow cell chip 0.5mm width

PROPRIETARY AND CONFIDENTIAL
 THE INFORMATION CONTAINED IN THIS DRAWING IS THE SOLE PROPERTY OF MICRONIT BV. ANY REPRODUCTION IN PART OR AS A WHOLE WITHOUT THE WRITTEN PERMISSION OF MICRONIT BV IS PROHIBITED.

UNLESS OTHERWISE SPECIFIED:
 - DIMENSIONS ARE IN MILLIMETERS
 - LINEAR TOLERANCES: ± 0.1
 - ANGULAR TOLERANCES: $\pm 5^\circ$
 DO NOT SCALE DRAWING

MATERIAL:
Borosilicate glass, D263 Eco

DWG NO.
42009529

REVISION
0