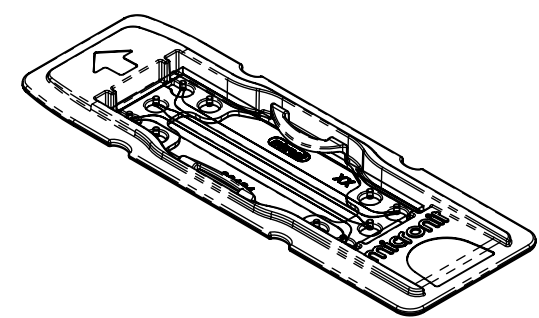
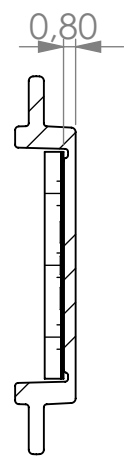
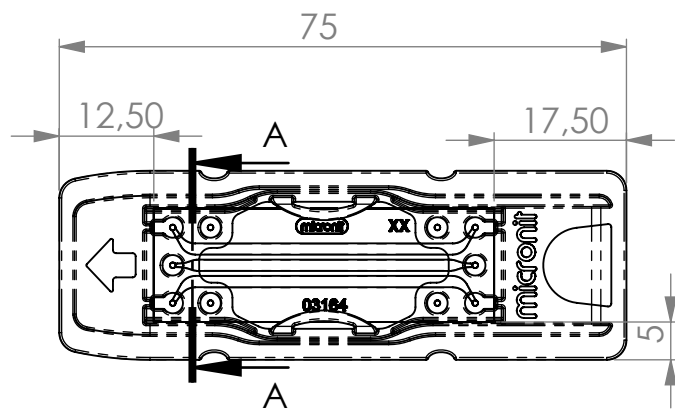


1 2 3 4 5 6

A



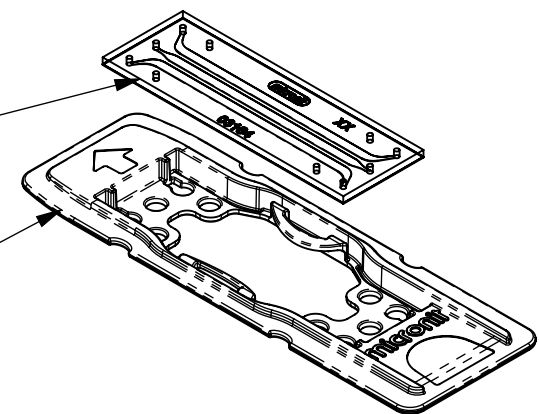
A

B

A-A (2 : 1)

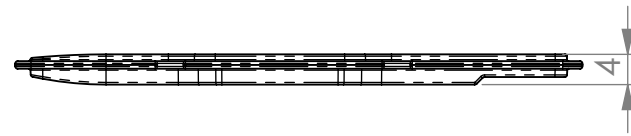
03164 - Glass chip element, see next sheet

11000242 / 11002303 Fluidic slide black or grey



B

C



C

Item number	11003164	11006338			
Hydrophobic coated	No	Yes			
Fluidic slide	Black	Grey			
Zone	Rev	REVISION NOTE	Mod By	App By	App Date



ITEM NUMBER:
11003164

DRAWN BY: JS
DRAWN DATE: 21 Mar 2024
PROJECT NO:
EXT. REF.:

TITLE:
Flow cell chip 1.5mm width

PROPRIETARY AND CONFIDENTIAL
THE INFORMATION CONTAINED IN THIS DRAWING IS THE SOLE PROPERTY OF MICRONIT BV. ANY REPRODUCTION IN PART OR AS A WHOLE WITHOUT THE WRITTEN PERMISSION OF MICRONIT BV IS PROHIBITED.

UNLESS OTHERWISE SPECIFIED:
- DIMENSIONS ARE IN MILLIMETERS
- LINEAR TOLERANCES: ± 0.1
- ANGULAR TOLERANCES: ± 5°
DO NOT SCALE DRAWING

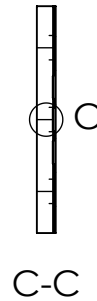
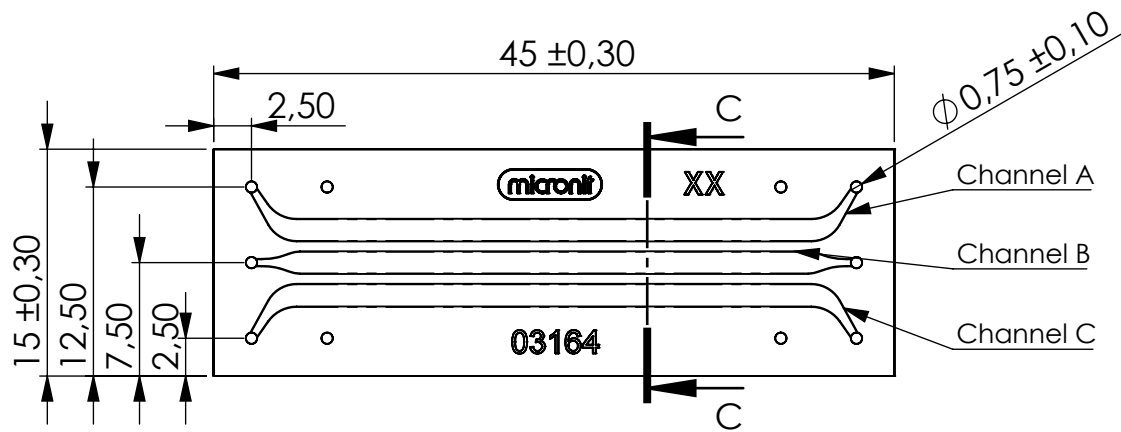
MATERIAL:
Borosilicate glass, D263 Eco

DWG NO. **42009547**
SCALE: 1:1
REVISION **0**
SHEET FORMAT: A4
SHEET 1 OF 1

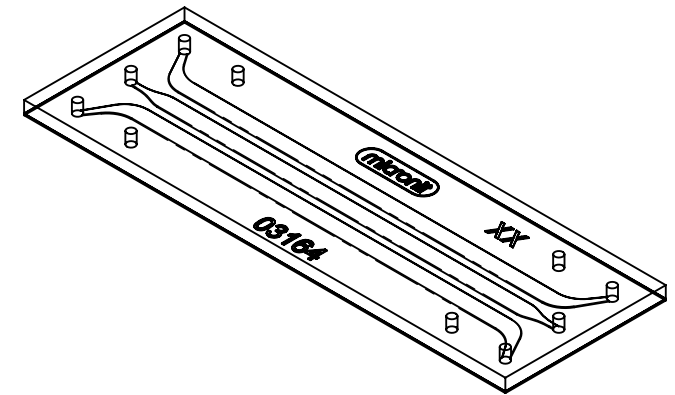
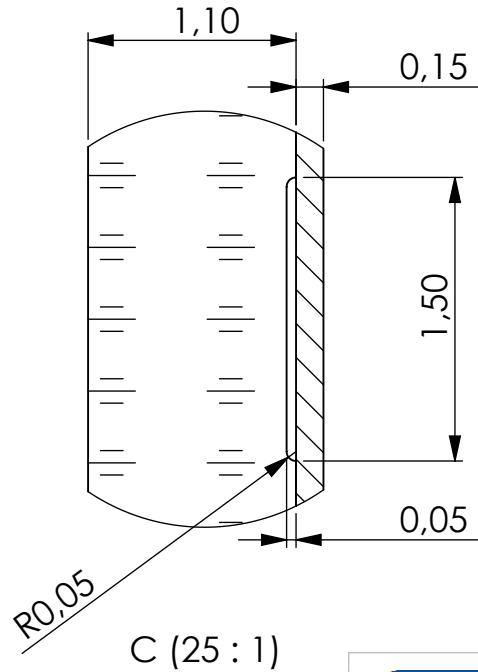
1

2

D



	Width [mm]	Length [mm]	Volume [μ l]
Channel A	1.4	42	2.9
Channel B	1.4	40	2.7
Channel C	1.4	42	2.9



Zone	Rev	REVISION NOTE	Mod By	App By	App Date



ITEM NUMBER:
03164

THIRD ANGLE PROJECTION

PROPRIETARY AND CONFIDENTIAL
THE INFORMATION CONTAINED IN THIS DRAWING IS THE SOLE PROPERTY OF MICRONIT BV. ANY REPRODUCTION IN PART OR AS A WHOLE WITHOUT THE WRITTEN PERMISSION OF MICRONIT BV IS PROHIBITED.

UNLESS OTHERWISE SPECIFIED:
- DIMENSIONS ARE IN MILLIMETERS
- LINEAR TOLERANCES: ± 0.1
- ANGULAR TOLERANCES: $\pm 5^\circ$
DO NOT SCALE DRAWING

DRAWN BY: JS
DRAWN DATE: 27 Mar 2024
PROJECT NO:
EXT. REF.:

MATERIAL:
Borosilicate glass,
D263 Eco

TITLE:
Glass chip element - Flow cel chip 1.5mm width

DWG NO. **42005548**
REVISION **0**
SCALE: 2:1
SHEET FORMAT: A4
SHEET 1 OF 1