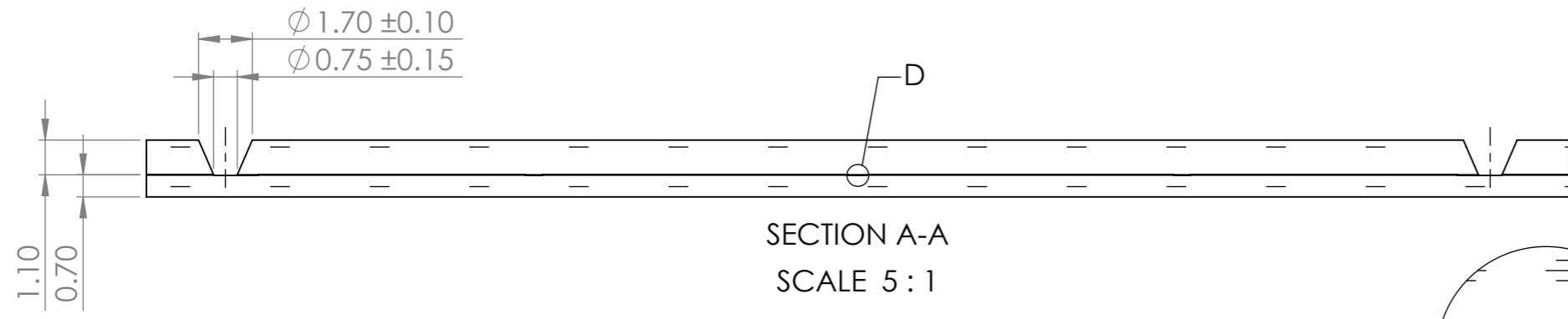
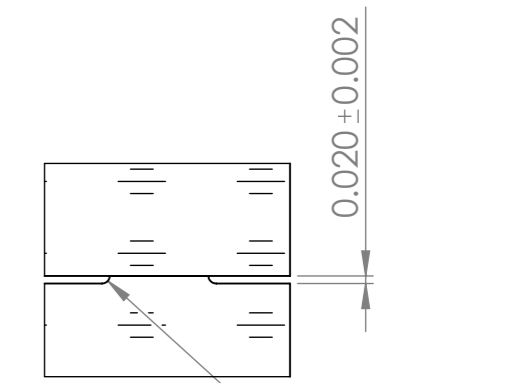


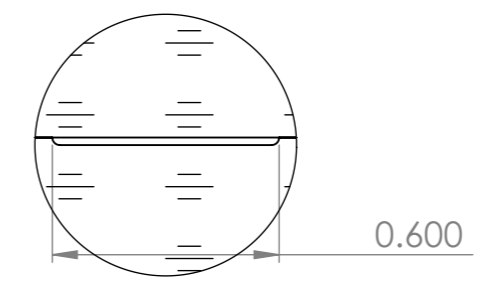
DETAIL B
SCALE 50 : 1



SECTION A-A
SCALE 5 : 1



SECTION C-C
SCALE 50 : 1



DETAIL D
SCALE 50 : 1

The structures are randomly placed, resulting in throats and channels of random dimensions. The design resembles structures from cut sandstone.

The vertical crack is added to the physical rock structure, therefore around the crack, it will interact with the rock structure

	ITEM NUMBER:	03202	DRAWN BY:	WVDC	TITLE:	Chip EOR PR 20.2 Crack 600 μm	
	THIRD ANGLE PROJECTION		DRAWN DATE:	11 May 2023	Zone	Rev	REVISION NOTE
PROPRIETARY AND CONFIDENTIAL THE INFORMATION CONTAINED IN THIS DRAWING IS THE SOLE PROPERTY OF MICRONIT BV. ANY REPRODUCTION IN PART OR AS A WHOLE WITHOUT THE WRITTEN PERMISSION OF MICRONIT BV IS PROHIBITED.	UNLESS OTHERWISE SPECIFIED: - DIMENSIONS ARE IN MILLIMETERS - LINEAR TOLERANCES: ± 0.1 - ANGULAR TOLERANCES: ± 5° DO NOT SCALE DRAWING	MATERIAL:	Borofloat 33	DWG NO.:	42008041	REVISION:	1.0
		SCALE:	5:1	SHEET FORMAT:	A3	SHEET 1 OF 1	

1.0	First Release	IR	05 Jun 2023
Zone	Rev	Mod By	App By
App Date			