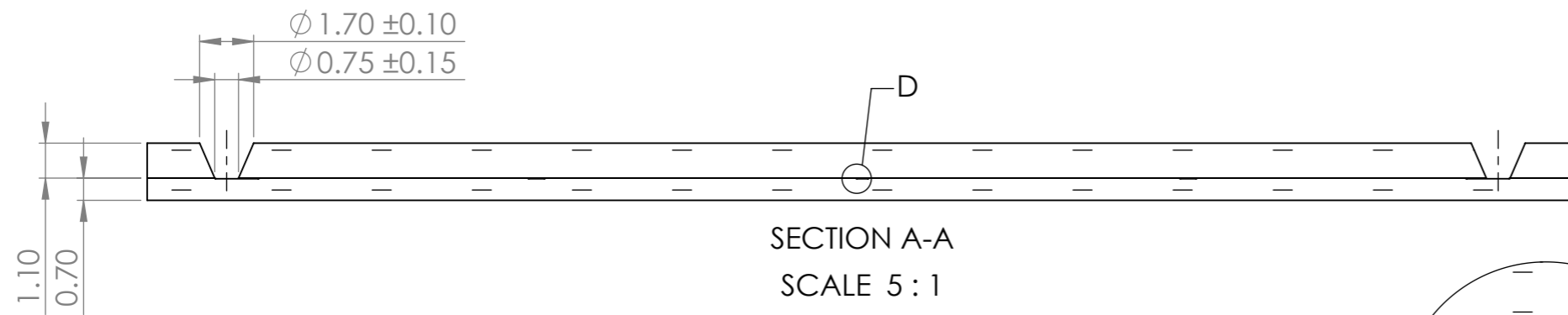
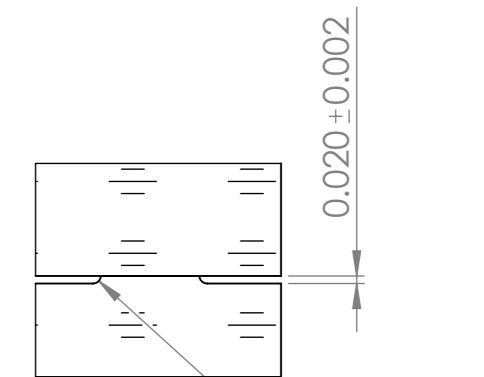


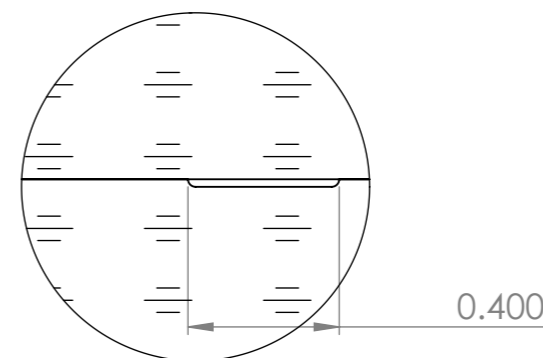
DETAIL B
SCALE 50 : 1



SECTION A-A
SCALE 5 : 1



SECTION C-C
SCALE 50 : 1



DETAIL D
SCALE 50 : 1

The structures are randomly placed, resulting in throats and channels of random dimensions. The design resembles structures from cut sandstone.

The vertical crack is added to the physical rock structure, therefore around the crack, it will interact with the rock structure

Zone	Rev	REVISION NOTE	Mod By	App By	App Date
	1.0	First Release	IR		05 Jun 2023

	ITEM NUMBER:	03201	DRAWN BY:	WVDC	TITLE:	Chip EOR PR 20.2 Crack 400 μm
	THIRD ANGLE PROJECTION		DRAWN DATE:	11 May 2023	DWG NO.:	
PROPRIETARY AND CONFIDENTIAL	UNLESS OTHERWISE SPECIFIED:	MATERIAL:	Borofloat 33	REVISION	1.0	
THE INFORMATION CONTAINED IN THIS DRAWING IS THE SOLE PROPERTY OF MICRONIT BV. ANY REPRODUCTION IN PART OR AS A WHOLE WITHOUT THE WRITTEN PERMISSION OF MICRONIT BV IS PROHIBITED.	- DIMENSIONS ARE IN MILLIMETERS - LINEAR TOLERANCES: ± 0.1 - ANGULAR TOLERANCES: ± 5°	DO NOT SCALE DRAWING	SCALE: 5:1	SHEET FORMAT: A3	SHEET 1 OF 1	