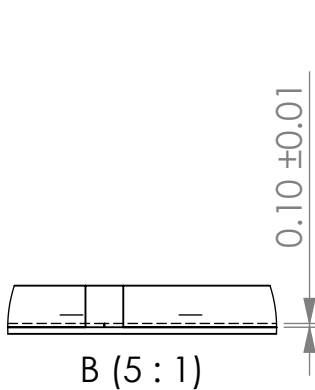
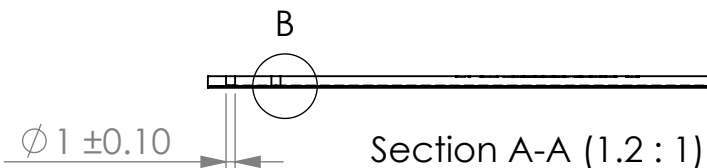
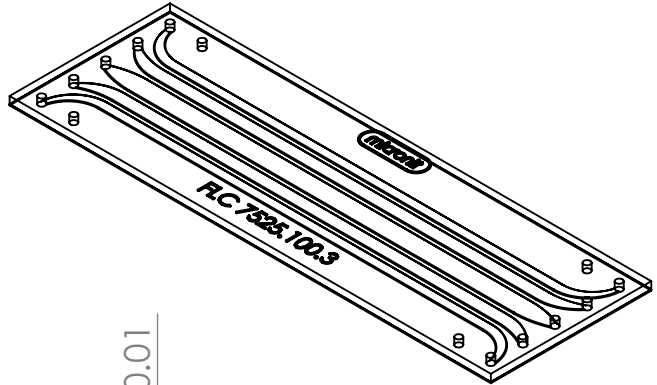


|           | 5<br>Width<br>(mm) | Length<br>(mm) | 6<br>Volume<br>( $\mu\text{L}$ ) |
|-----------|--------------------|----------------|----------------------------------|
| Channel A | 1.5                | 74.83          | 9.30                             |
| Channel B | 2                  | 70.94          | 12.27                            |
| Channel C | 3                  | 70.00          | 18.83                            |



| Zone | Rev | REVISION NOTE | Mod By | App By | App Date |
|------|-----|---------------|--------|--------|----------|
|      |     |               |        |        |          |



ITEM NUMBER:  
**03536**

DRAWN BY: RN  
 DRAWN DATE: 14 Mar 2023  
 PROJECT NO: RD0946.003  
 EXT. REF.:

TITLE:  
**Chip glass 75x25x1.275  
Flow Cell 100  $\mu\text{m}$**

**PROPRIETARY AND CONFIDENTIAL**  
 THE INFORMATION CONTAINED IN THIS DRAWING IS THE SOLE PROPERTY OF MICRONIT BV. ANY REPRODUCTION IN PART OR AS A WHOLE WITHOUT THE WRITTEN PERMISSION OF MICRONIT BV IS PROHIBITED.

**UNLESS OTHERWISE SPECIFIED:**  
 - DIMENSIONS ARE IN MILLIMETERS  
 - LINEAR TOLERANCES:  $\pm 0.1$   
 - ANGULAR TOLERANCES:  $\pm 5^\circ$   
 DO NOT SCALE DRAWING

MATERIAL: D263 Bio

DWG NO. **42007729**  
 SCALE: 1:1  
 SHEET FORMAT: A4  
 SHEET 1 OF 1

REVISION  
**0**