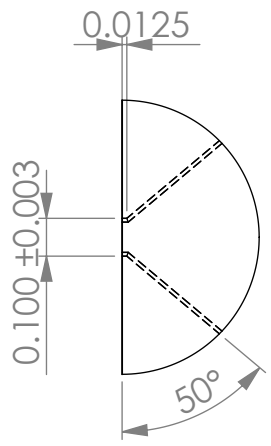
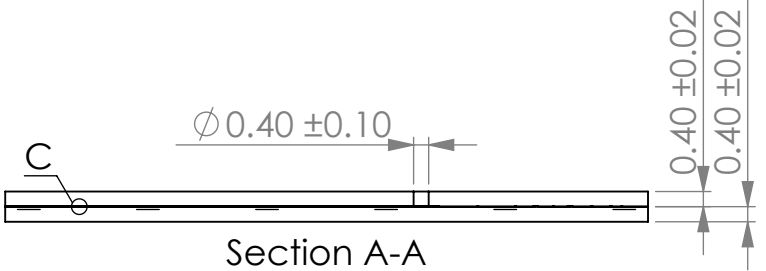


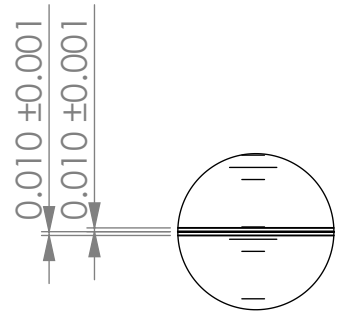
Channel length [mm]	11.47
Channel volume [μL]	0.23
Inlet volume [μL]	0.05



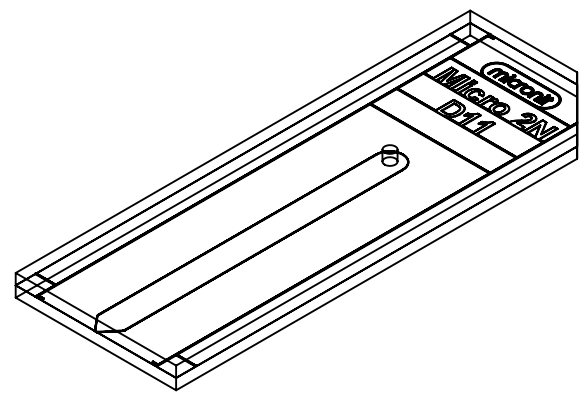
Detail B
Scale(50 : 1)



Section A-A



Detail C
Scale (50 : 1)



Zone	Rev	REVISION NOTE	Mod By	App By	App Date
------	-----	---------------	--------	--------	----------



ITEM NUMBER:
03289

DRAWN BY: IR
 DRAWN DATE: 29 Nov 2022
 PROJECT NO:
 EXT. REF.:

TITLE:
**Chip assembly
 Converging noxxle
 Micro 2N**

PROPRIETARY AND CONFIDENTIAL
 THE INFORMATION CONTAINED IN THIS DRAWING IS THE SOLE PROPERTY OF MICRONIT BV. ANY REPRODUCTION IN PART OR AS A WHOLE WITHOUT THE WRITTEN PERMISSION OF MICRONIT BV IS PROHIBITED.

UNLESS OTHERWISE SPECIFIED:
 - DIMENSIONS ARE IN MILLIMETERS
 - LINEAR TOLERANCES: ± 0.1
 - ANGULAR TOLERANCES: ± 5°
 DO NOT SCALE DRAWING

MATERIAL:
D263-T glass

DWG NO. **42006923**
 REVISION **0**
 SCALE: 5:1
 SHEET FORMAT: A4
 SHEET 1 OF 1