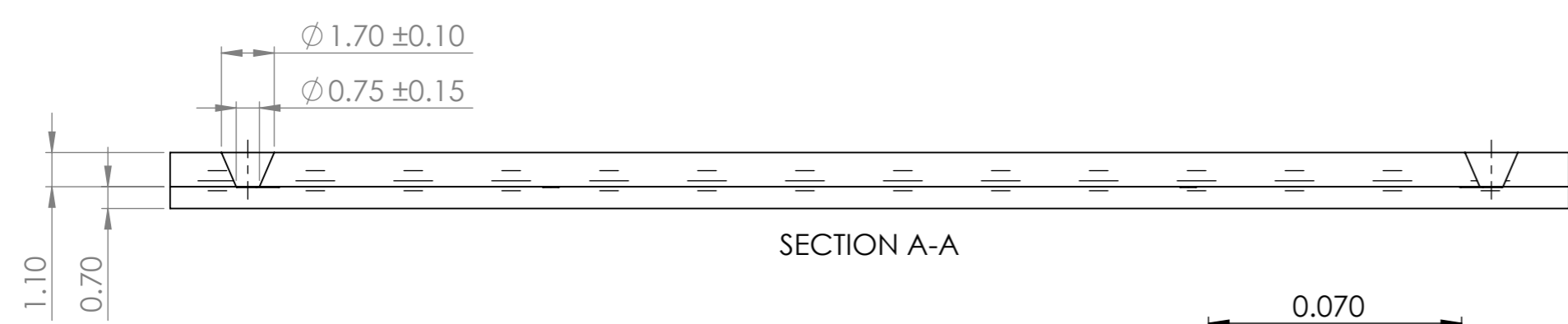
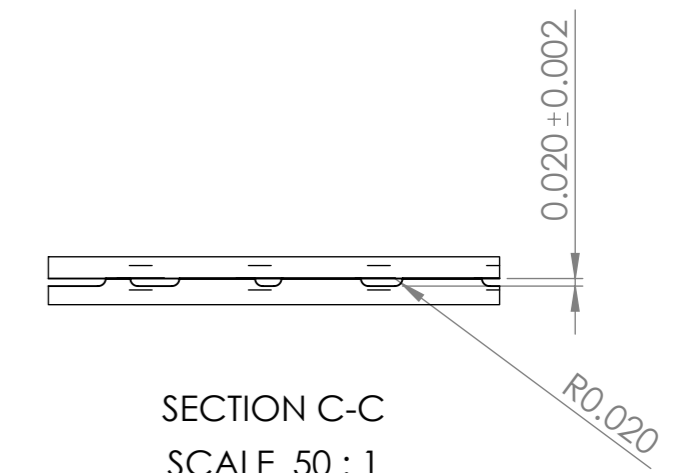


DETAIL B  
SCALE 50 : 1

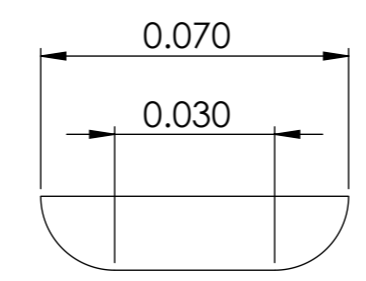


SECTION A-A



SECTION C-C  
SCALE 50 : 1

width channels after-etch [µm]	width channels mask [µm]	Depth [µm]	Number of times on chip
50	10	20	1429
70	30	20	1438
90	50	20	1412
110	70	20	1412
130	90	20	1531



Random channel crosssection example

Note:  
The structure contains a randomly generated network of horizontally and vertically connected throats. These throats are drawn on a grid separated 300 µm with two throats between each grid note. At every throat location, there is either no throat or one with a width of 50, 70, 90, 110 or 130 µm. On the mask every throat is a rectangle with length 150 µm and width 10, 30, 50, 70 or 90 µm.

Zone	Rev	REVISION NOTE	Mod By	App By	App Date
	1.1	Conformity changes	ME	IR	05 Jun 2023
	1.0	First Release		ME	09 Aug 2022

	ITEM NUMBER:	02977	DRAWN BY:	ME	TITLE:	Chip EOR RN 20.2	
	THIRD ANGLE PROJECTION		DRAWN DATE:	11 Nov 2022	PROJECT NO.:		
PROPRIETARY AND CONFIDENTIAL	UNLESS OTHERWISE SPECIFIED:		MATERIAL:	Borofloat 33	DWG NO.:	42005557	REVISION
THE INFORMATION CONTAINED IN THIS DRAWING IS THE SOLE PROPERTY OF MICRONIT BV. ANY REPRODUCTION IN PART OR AS A WHOLE WITHOUT THE WRITTEN PERMISSION OF MICRONIT BV IS PROHIBITED.	- DIMENSIONS ARE IN MILLIMETERS - LINEAR TOLERANCES: ± 0.1 - ANGULAR TOLERANCES: ± 5°	DO NOT SCALE DRAWING			SCALE: 5:1	SHEET FORMAT: A3	SHEET 1 OF 1