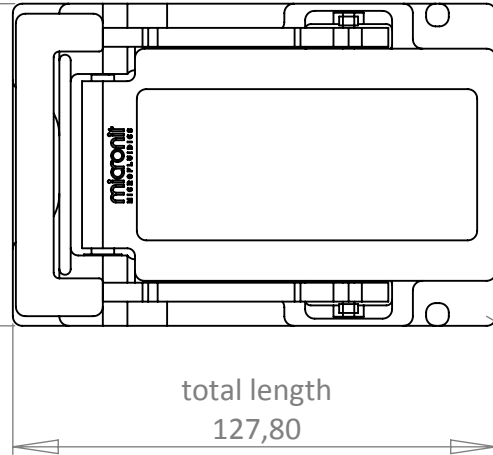


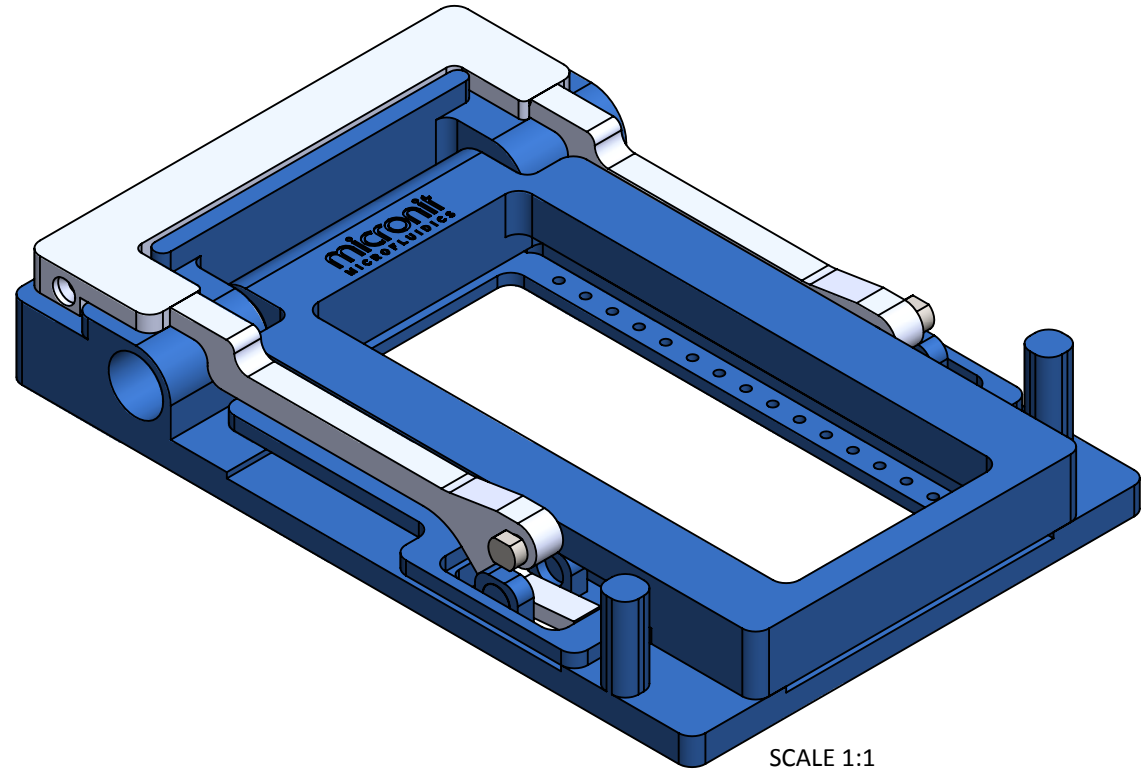
total height
20,50

total width
85,20



total length
127,80

R2,50



SCALE 1:1

*please contact Micronit for more information before designing a custom insert set

Custom insert for the Fluidic Connect Pro will always be checked, finalized and ordered by Micronit

UNLESS OTHERWISE SPECIFIED:
DIMENSIONS ARE IN MILLIMETERS
SURFACE FINISH:
TOLERANCES:
LINEAR:
ANGULAR:

FINISH:

Blue anodised

DEBUR AND
BREAK SHARP
EDGES

DO NOT SCALE DRAWING

REVISION

3.1

Micronit Microfluidics BV.

TITLE:

Assembly

	NAME	SIGNATURE	DATE
DRAWN	W. Buesink		01-02-2012
MOD	W. Buesink		01-07-2013
CHK'D	[-]		[-]

PROPRIETARY AND CONFIDENTIAL

THE INFORMATION CONTAINED IN THIS DRAWING IS THE SOLE PROPERTY OF MICRONIT MICROFLUIDICS BV. ANY REPRODUCTION IN PART OR AS A WHOLE WITHOUT THE WRITTEN PERMISSION OF MICRONIT MICROFLUIDICS BV IS PROHIBITED.

CLIENT NO.

Fluidic Pro

MATERIAL:

Aluminium
SS316L

DWG NO.

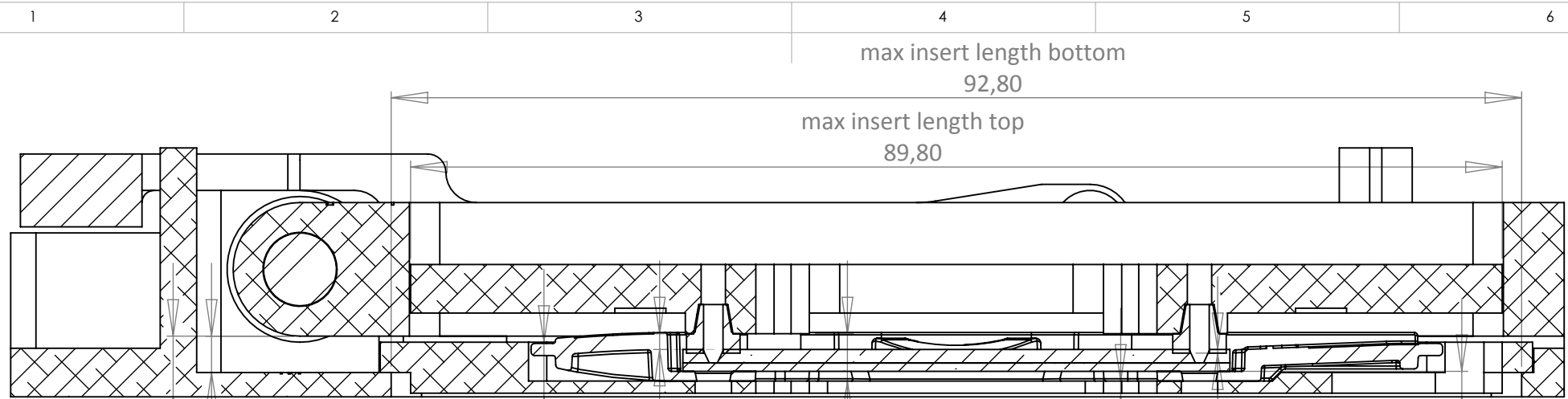
Fluidic Connect Pro

A4

WEIGHT:

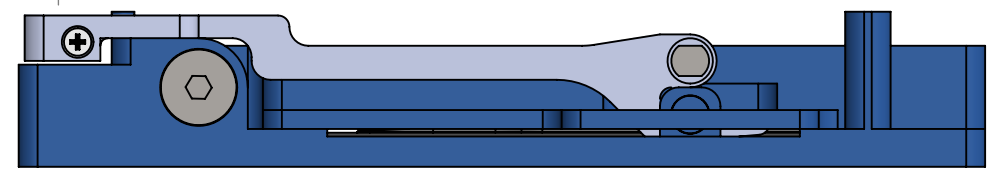
SCALE:1:2

SHEET 1 OF 4



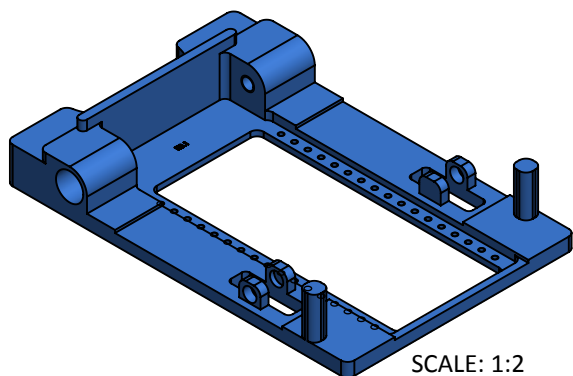
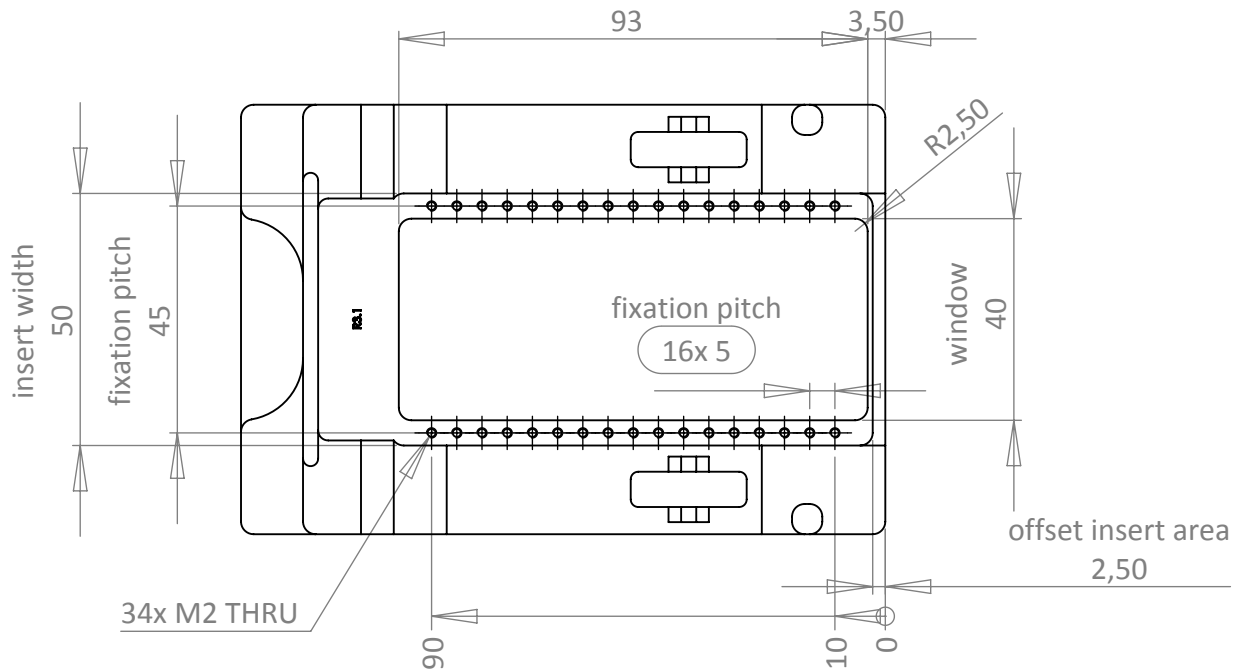
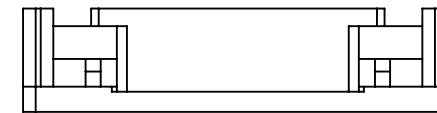
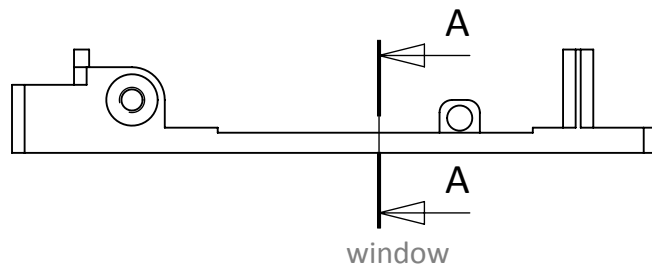
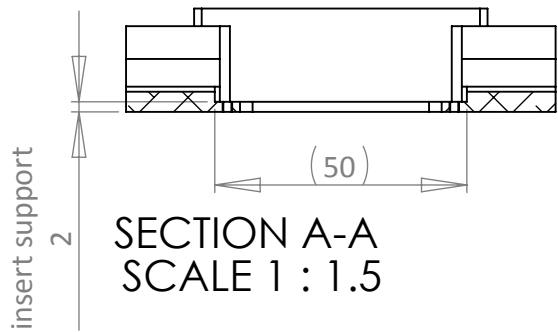
max insert length bottom
92,80
 max insert length top
89,80

minimum distance for use of M2x4 screws
4,20
 spacing advised for ferrule (under compression)
1,30
 spacing between top and bottom for Micronit standard inserts (for Fluidic Slide)
3,90
 distance to bottom Micronit standard insert (for use with Fluidic Slide)
1,30
 ferrule compression
0,30
 distance to bottom surface of chip
2,10



SCALE 1:1

UNLESS OTHERWISE SPECIFIED: DIMENSIONS ARE IN MILLIMETERS SURFACE FINISH: TOLERANCES: LINEAR: ANGULAR:			FINISH: Blue anodised		DEBUR AND BREAK SHARP EDGES		DO NOT SCALE DRAWING		REVISION 3.1																																
							Micronit Microfluidics BV.																																		
							Assembly relations																																		
<table border="1"> <thead> <tr> <th></th> <th>NAME</th> <th>SIGNATURE</th> <th>DATE</th> <th></th> <th></th> <th></th> </tr> </thead> <tbody> <tr> <td>DRAWN</td> <td>W. Buesink</td> <td></td> <td>01-02-2012</td> <td></td> <td></td> <td></td> </tr> <tr> <td>MOD</td> <td>W. Buesink</td> <td></td> <td>01-07-2013</td> <td></td> <td></td> <td></td> </tr> <tr> <td>CHK'D</td> <td>[-]</td> <td></td> <td>[-]</td> <td></td> <td></td> <td></td> </tr> </tbody> </table>								NAME	SIGNATURE	DATE				DRAWN	W. Buesink		01-02-2012				MOD	W. Buesink		01-07-2013				CHK'D	[-]		[-]				TITLE:		Fluidic Connect Pro			A4	
	NAME	SIGNATURE	DATE																																						
DRAWN	W. Buesink		01-02-2012																																						
MOD	W. Buesink		01-07-2013																																						
CHK'D	[-]		[-]																																						
PROPRIETARY AND CONFIDENTIAL							CLIENT NO.		Fluidic Pro																																
THE INFORMATION CONTAINED IN THIS DRAWING IS THE SOLE PROPERTY OF MICRONIT MICROFLUIDICS BV. ANY REPRODUCTION IN PART OR AS A WHOLE WITHOUT THE WRITTEN PERMISSION OF MICRONIT MICROFLUIDICS BV IS PROHIBITED.							MATERIAL:		Aluminium SS316L																																
							WEIGHT:		SCALE: 2:1		SHEET 2 OF 4																														



UNLESS OTHERWISE SPECIFIED:
DIMENSIONS ARE IN MILLIMETERS
SURFACE FINISH:
TOLERANCES:
LINEAR:
ANGULAR:

FINISH:
Blue anodised

DEBUR AND
BREAK SHARP
EDGES

DO NOT SCALE DRAWING

REVISION **3.1**

Micronit Microfluidics BV.

	NAME	SIGNATURE	DATE
DRAWN	W. Buesink		01-02-2012
MOD	W. Buesink		01-07-2013
CHK'D	[-]		[-]

TITLE:
Bottom part

PROPRIETARY AND CONFIDENTIAL

THE INFORMATION CONTAINED IN THIS DRAWING IS THE SOLE PROPERTY OF MICRONIT MICROFLUIDICS BV. ANY REPRODUCTION IN PART OR AS A WHOLE WITHOUT THE WRITTEN PERMISSION OF MICRONIT MICROFLUIDICS BV IS PROHIBITED.

CLIENT NO. Fluidic Pro

MATERIAL: **Aluminium**

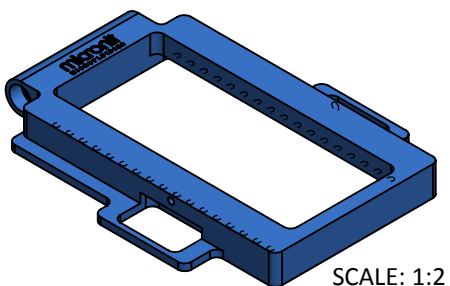
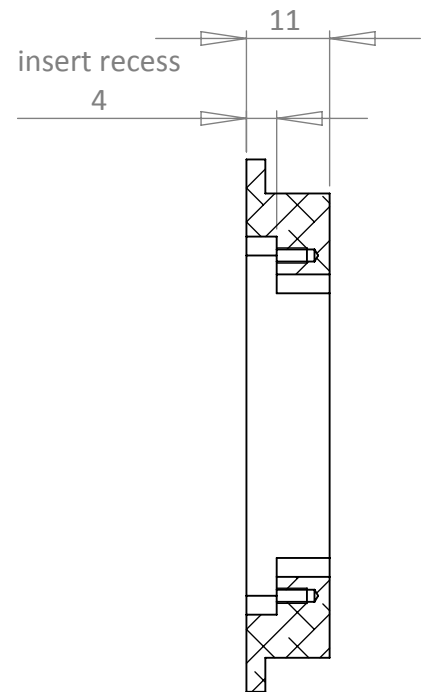
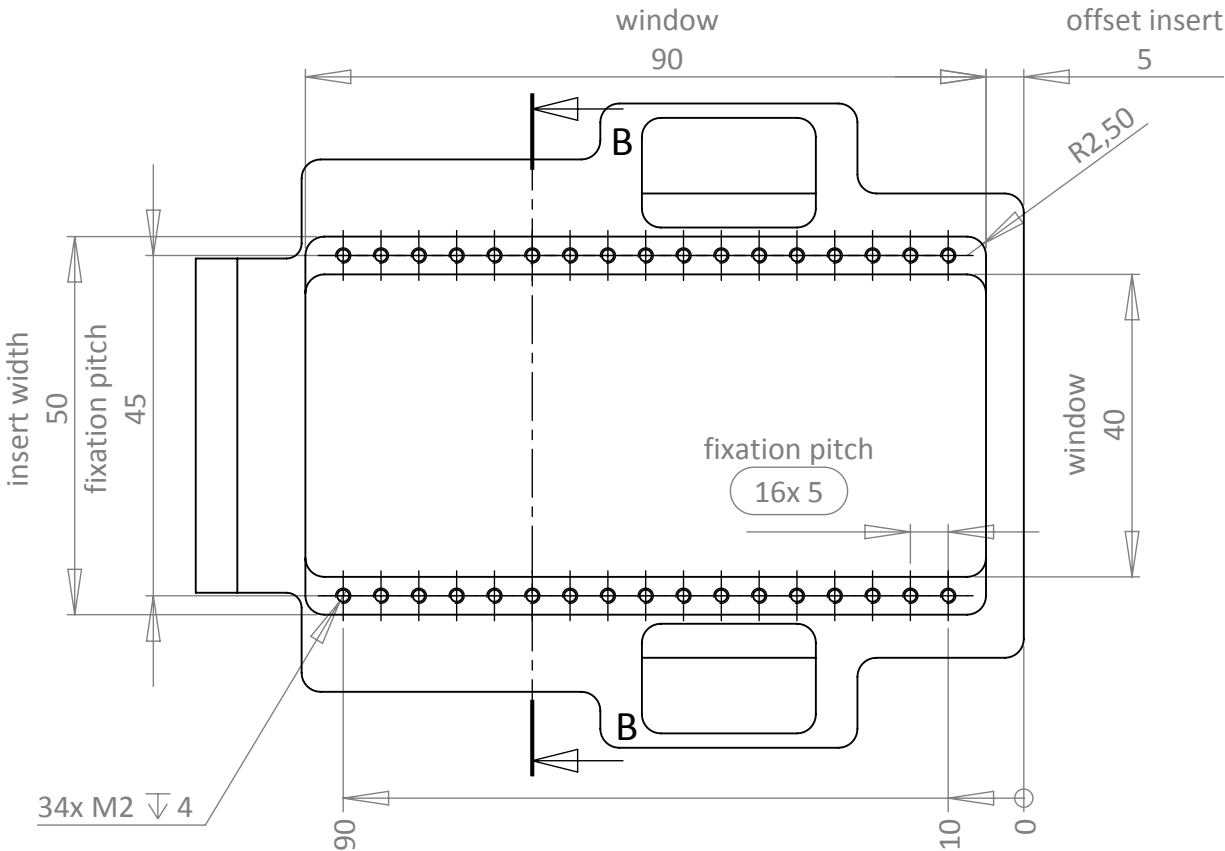
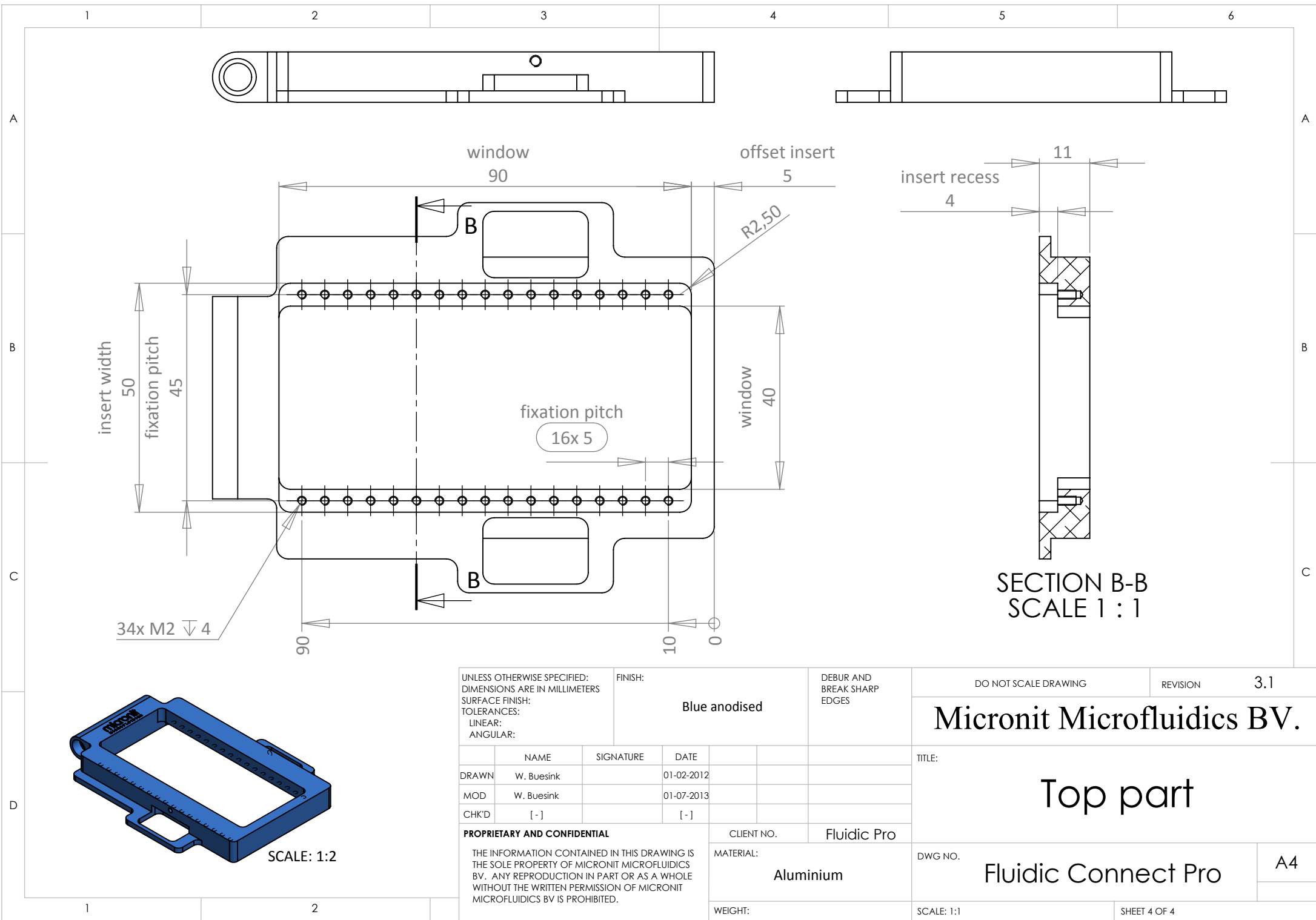
WEIGHT:

DWG NO. **Fluidic Connect Pro**

A4

SCALE: 1:1,5

SHEET 3 OF 4



UNLESS OTHERWISE SPECIFIED: DIMENSIONS ARE IN MILLIMETERS SURFACE FINISH: TOLERANCES: LINEAR: ANGULAR:				FINISH: Blue anodised		DEBUR AND BREAK SHARP EDGES	
NAME	SIGNATURE	DATE		CLIENT NO.	Fluidic Pro		
DRAWN	W. Buesink	01-02-2012		MATERIAL:	Aluminium		
MOD	W. Buesink	01-07-2013		WEIGHT:			
CHK'D	[-]	[-]		PROPRIETARY AND CONFIDENTIAL			
THE INFORMATION CONTAINED IN THIS DRAWING IS THE SOLE PROPERTY OF MICRONIT MICROFLUIDICS BV. ANY REPRODUCTION IN PART OR AS A WHOLE WITHOUT THE WRITTEN PERMISSION OF MICRONIT MICROFLUIDICS BV IS PROHIBITED.							

DO NOT SCALE DRAWING		REVISION		3.1
Micronit Microfluidics BV.				
TITLE:				
Top part				
DWG NO.		Fluidic Connect Pro		A4
SCALE: 1:1		SHEET 4 OF 4		