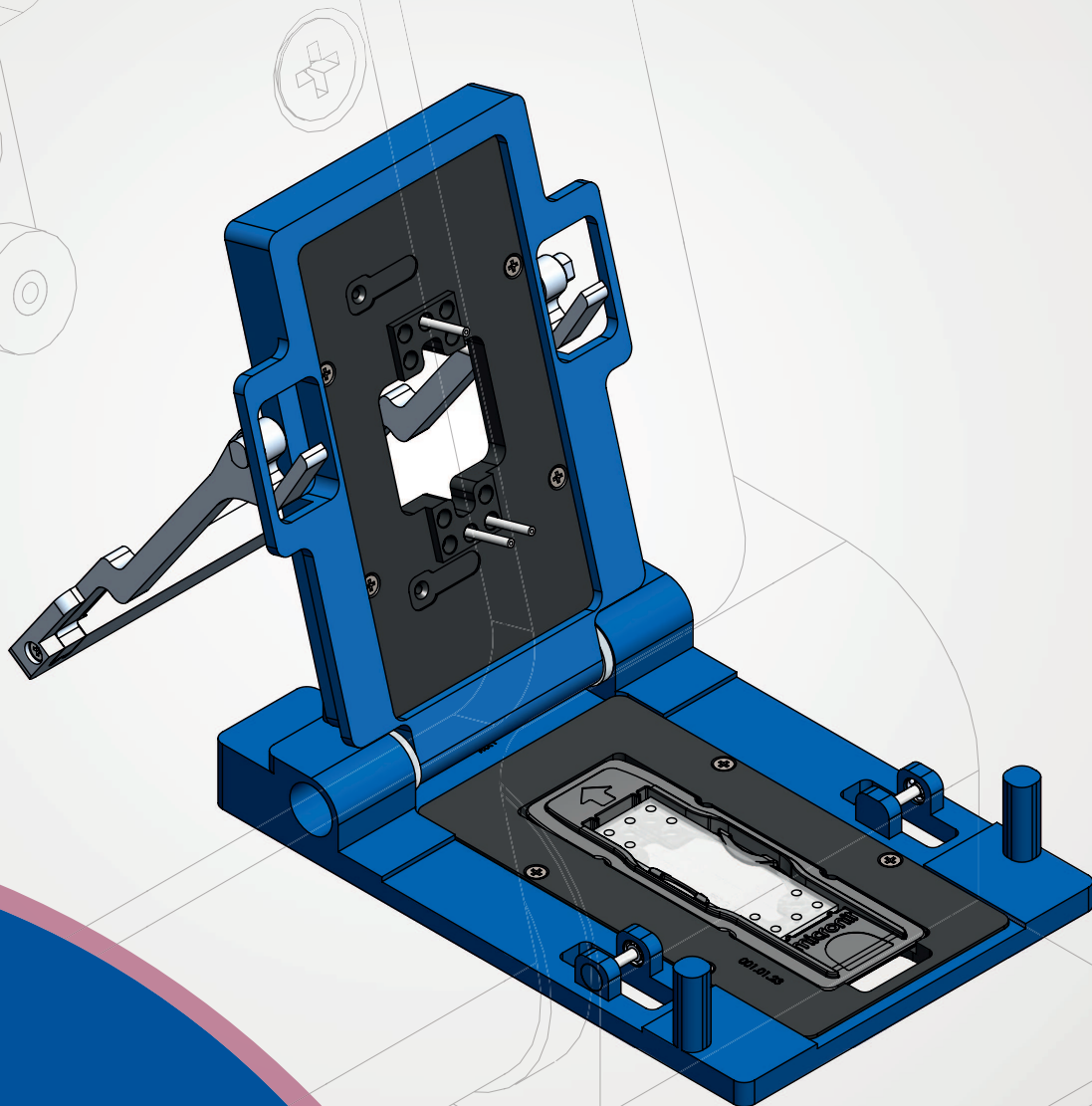


micronit

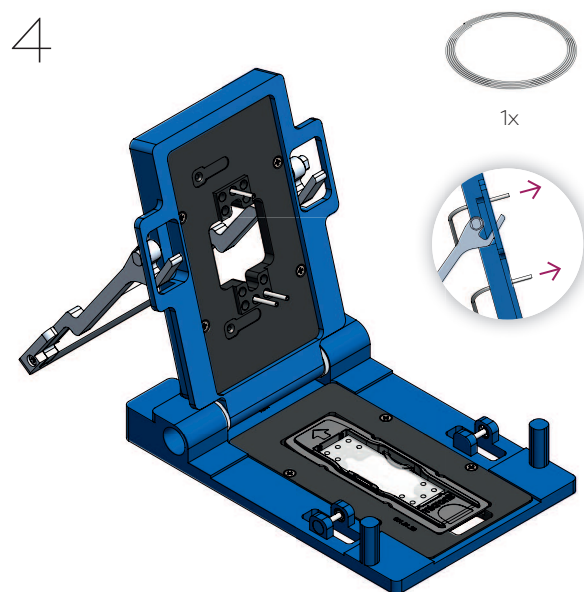
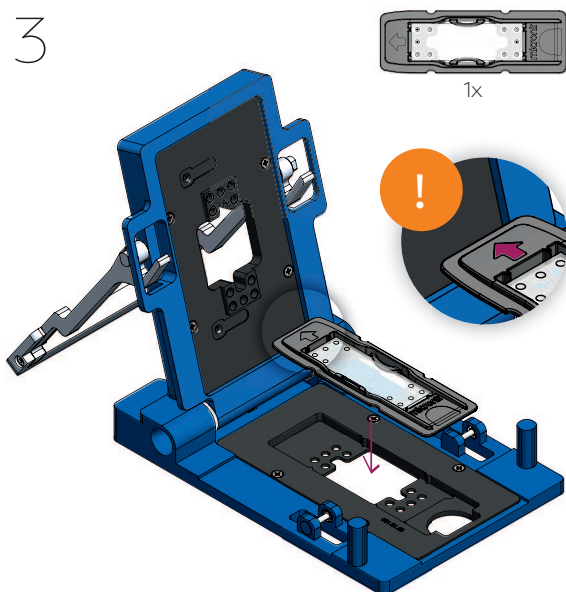
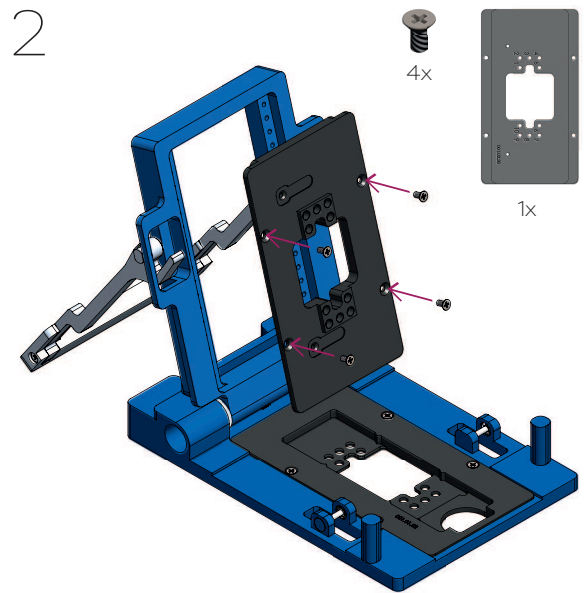
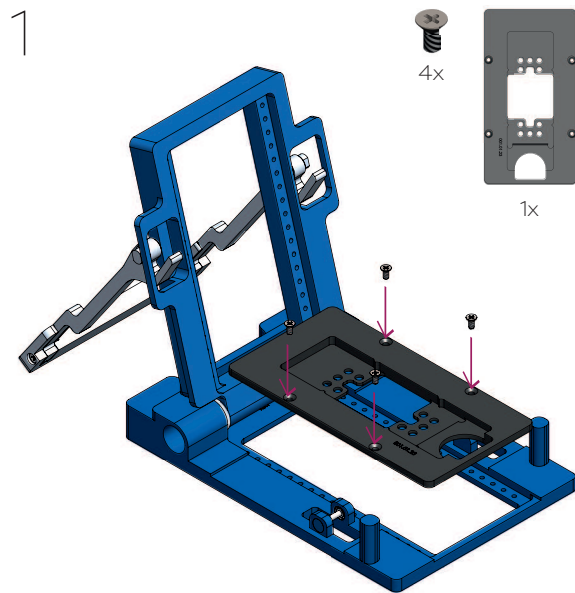
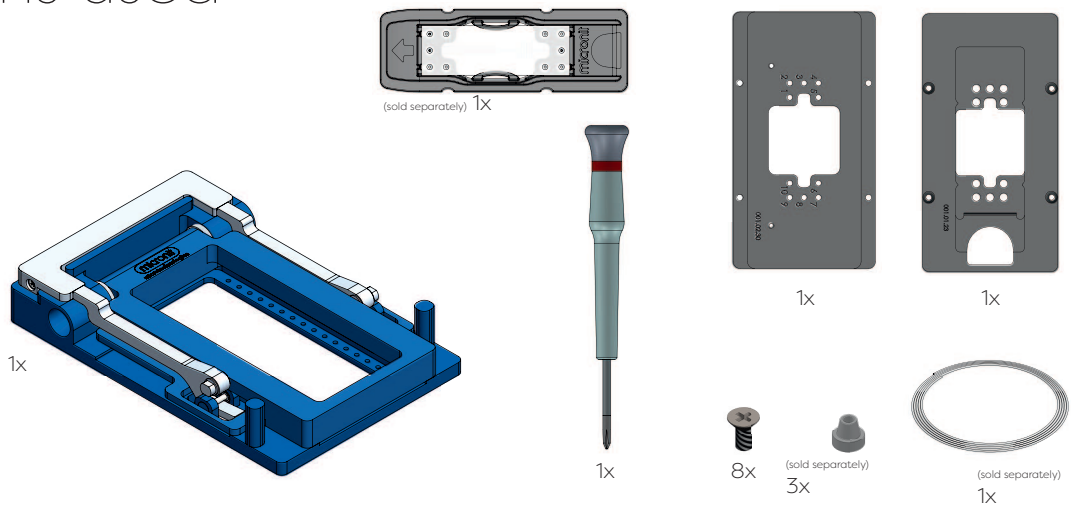


fluidic connect pro

single droplet generator

quick start guide v1.2

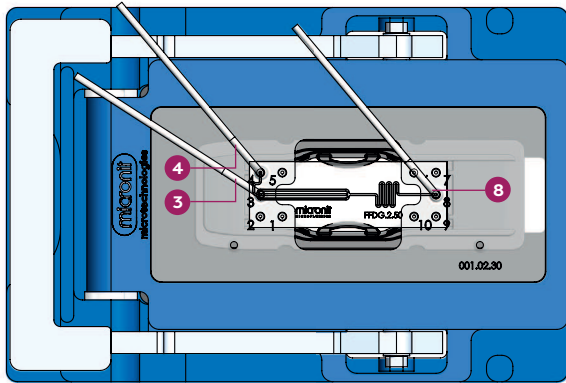
Items used



5

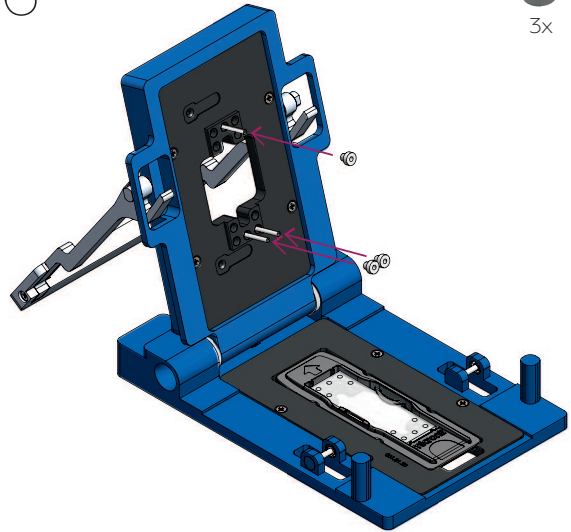
Tubing layout

- 3: dispersed phase
- 4: continuous phase
- 8: waste

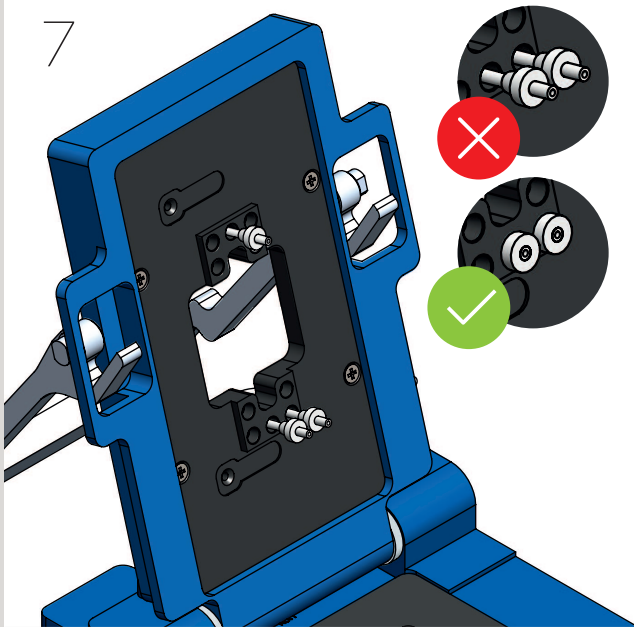


6

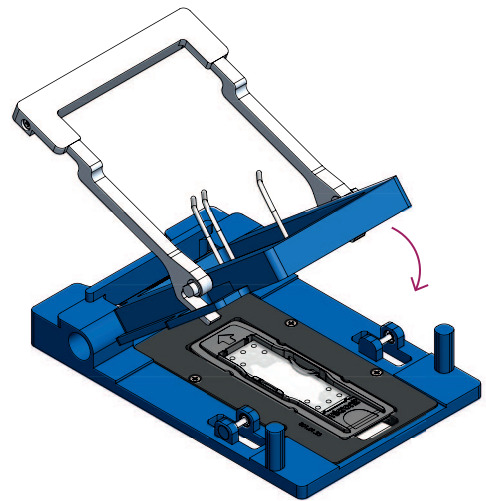

3x



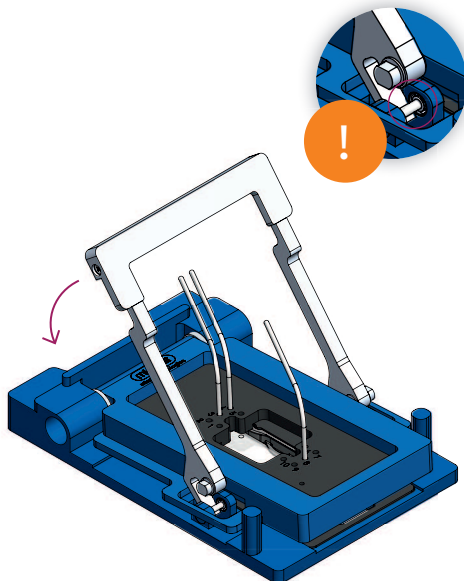
7



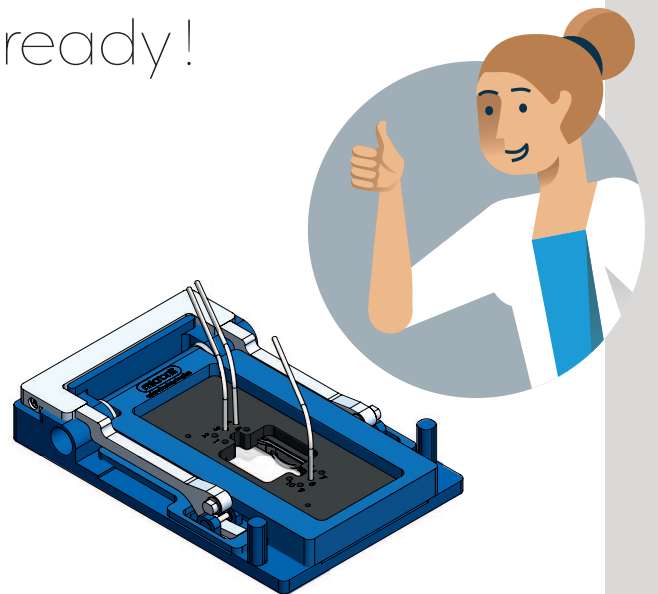
8



9



ready!





Micronit B.V.

Colosseum 15
7521 PV Enschede
The Netherlands
+31 53 850 6 850
info@micronit.com
www.micronit.com
store.micronit.com