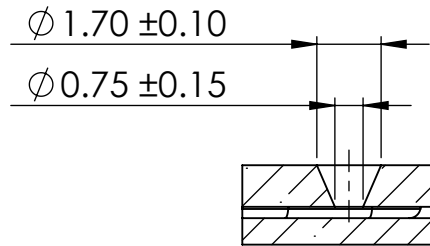
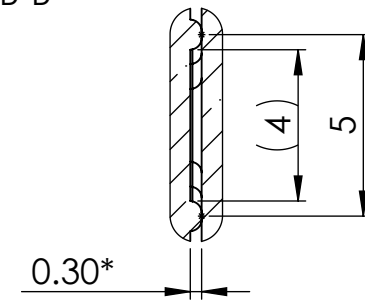


SECTION B-B



SECTION A-A  
SCALE 5 : 1



DETAIL C  
SCALE 5 : 1

\* Gasket before compression

<p>THIRD ANGLE PROJECTION</p>	UNLESS OTHERWISE SPECIFIED: DIMENSIONS ARE IN MILLIMETERS			SURFACE FINISH: -	Sheet format: <b>A4</b>
	SURFACE TREATMENT: TOLERANCES: LINEAR: $\pm 0.1$ ANGULAR: $\pm 1$				DEBUR AND BREAK SHARP EDGES
NAME	SIGNATURE	DATE	TITLE:		
DRAWN			<h1>Resealable flowcell - straight 4515 5mm</h1>		
MOD					
CHK'D					
Projectnr.			DWG NO.	REVISION	
MATERIAL:			FLCRS_4515 5mm	0	
WEIGHT: 3.00			SCALE: 2:1	DO NOT SCALE DRAWING	SHEET 1 OF 1



PROPRIETARY AND CONFIDENTIAL

THE INFORMATION CONTAINED IN THIS DRAWING IS THE SOLE PROPERTY OF MICRONIT MICROFLUIDICS BV. ANY REPRODUCTION IN PART OR AS A WHOLE WITHOUT THE WRITTEN PERMISSION OF MICRONIT MICROFLUIDICS BV IS PROHIBITED.