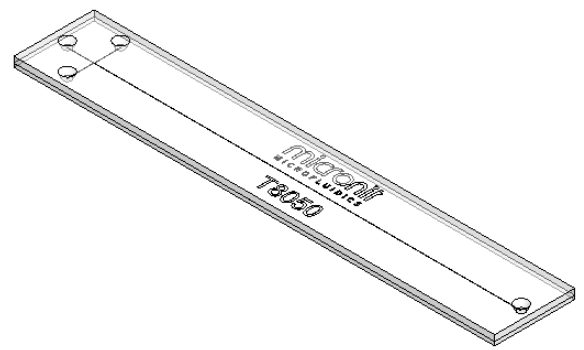
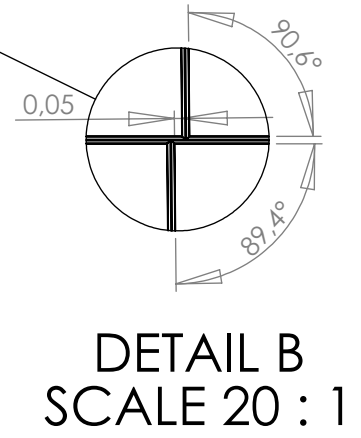
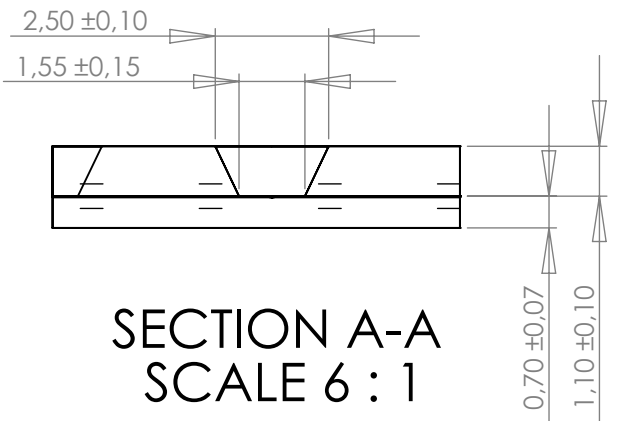


		Length [mm]	Volume [μl]
Long channel	1x	85	0.07
Short channel	2x	5	0.01



UNLESS OTHERWISE SPECIFIED:
DIMENSIONS ARE IN MILLIMETERS
SURFACE FINISH:
TOLERANCES:
LINEAR:
ANGULAR:

FINISH:

	NAME	SIGNATURE	DATE
DRAWN	A. Hubers		5-9-2008
MOD.	A. koelewijn		19-8-2015

PROPRIETARY AND CONFIDENTIAL

THE INFORMATION CONTAINED IN THIS DRAWING IS THE SOLE PROPERTY OF MICRONIT MICROFLUIDICS BV. ANY REPRODUCTION IN PART OR AS A WHOLE WITHOUT THE WRITTEN PERMISSION OF MICRONIT MICROFLUIDICS BV IS PROHIBITED.

MATERIAL:
Glass
(Borofloat)

WEIGHT:

DO NOT SCALE DRAWING

REVISION 2.0

Micronit Microfluidics BV.

TITLE:
Technical drawing

DWG NO. **T8050**

A4

SCALE:2:1

SHEET 1 OF 1

Release for quotation purposes only