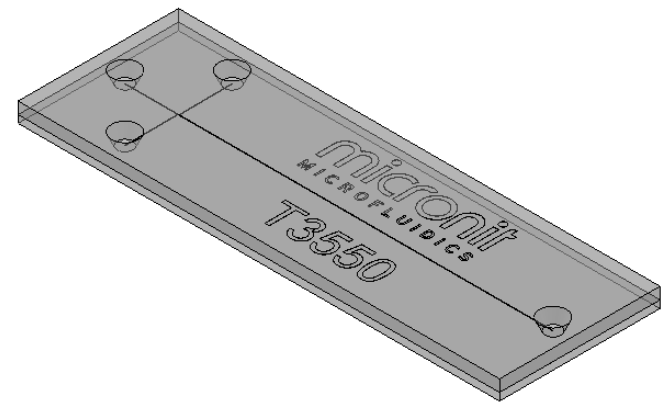
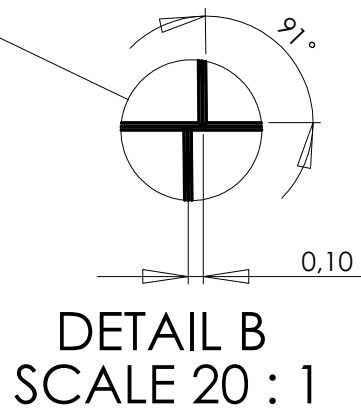
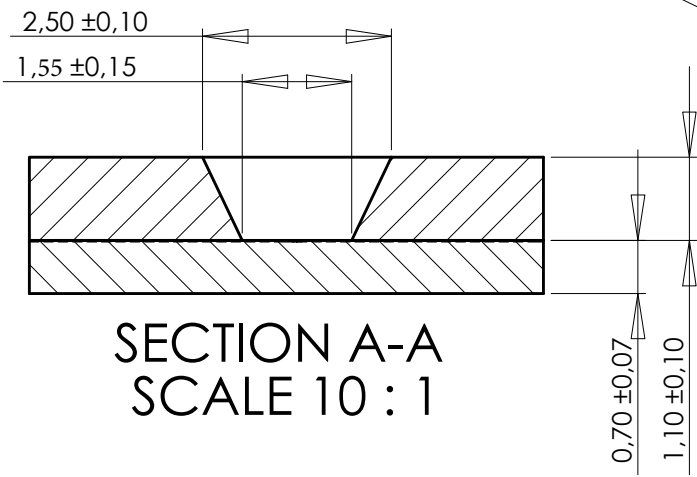
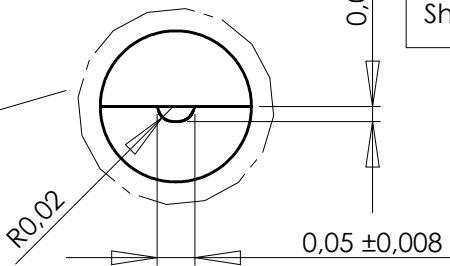


		Length [mm]	Volume [μl]
Long channel	1x	40	0.03
Short channel	2x	5	0.01



SECTION A-A  
SCALE 10 : 1

DETAIL B  
SCALE 20 : 1

UNLESS OTHERWISE SPECIFIED:  
DIMENSIONS ARE IN MILLIMETERS  
SURFACE FINISH:  
TOLERANCES:  
LINEAR:  
ANGULAR:

FINISH:

	NAME	SIGNATURE	DATE
DRAWN	A. Hubers		5-9-2008
MOD.	W. Buesink		15-10-2008

**PROPRIETARY AND CONFIDENTIAL**  
THE INFORMATION CONTAINED IN THIS DRAWING IS THE SOLE PROPERTY OF MICRONIT MICROFLUIDICS BV. ANY REPRODUCTION IN PART OR AS A WHOLE WITHOUT THE WRITTEN PERMISSION OF MICRONIT MICROFLUIDICS BV IS PROHIBITED.

MATERIAL:  
Glass (Borofloat)  
WEIGHT:

DO NOT SCALE DRAWING REVISION 1.1

Micronit Microfluidics BV.

TITLE:  
Technical drawing

DWG NO. T3550 A4  
SCALE: 2:1 SHEET 1 OF 1

Release for quotation purposes only