

1 2 3 4 5 6

A

B

C

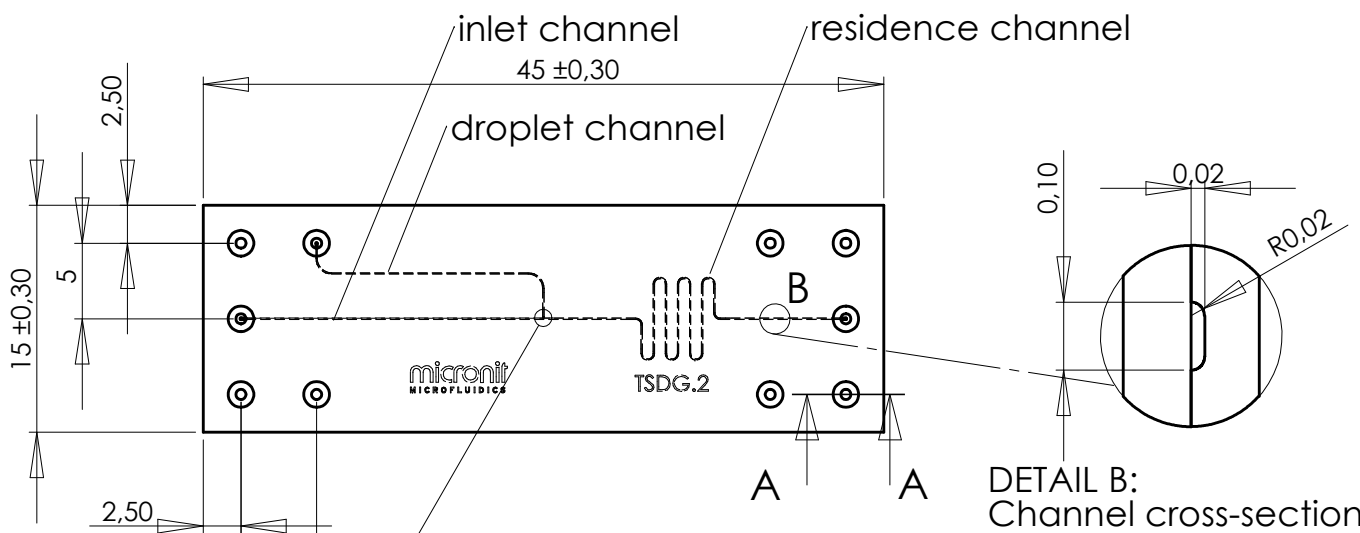
D

A

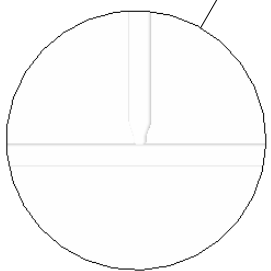
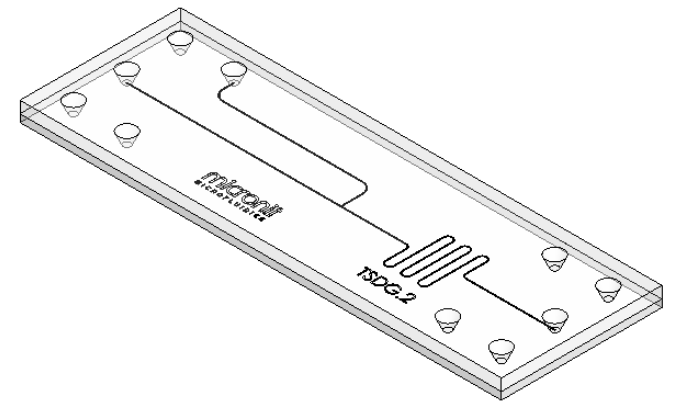
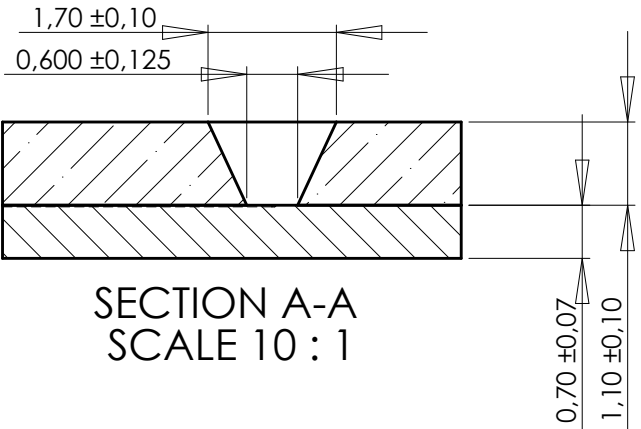
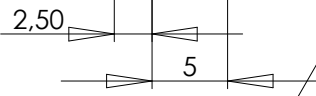
B

C

D



	Length [mm]	Volume [μl]
Inlet channel	20	0.04
Droplet channel	24	0.04
Residence channel	50	0.09



DETAIL C  
SCALE 30 : 1

SECTION A-A  
SCALE 10 : 1

UNLESS OTHERWISE SPECIFIED:  
DIMENSIONS ARE IN MILLIMETERS  
SURFACE FINISH:  
TOLERANCES:  
LINEAR:  
ANGULAR:

FINISH:

DO NOT SCALE DRAWING REVISION 1.1

	NAME	SIGNATURE	DATE
DRAWN	W.Buesink		23-02-2009
MOD.	W.Buesink		02-11-2009

Micronit Microfluidics BV.

TITLE:  
Example chip drawing

**PROPRIETARY AND CONFIDENTIAL**  
THE INFORMATION CONTAINED IN THIS DRAWING IS THE SOLE PROPERTY OF MICRONIT MICROFLUIDICS BV. ANY REPRODUCTION IN PART OR AS A WHOLE WITHOUT THE WRITTEN PERMISSION OF MICRONIT MICROFLUIDICS BV IS PROHIBITED.

MATERIAL:  
Borofloat Glass  
WEIGHT:

DWG NO. TSDG.2 A4  
SCALE:2:1 SHEET 1 OF 1

Release for quotation purposes only

1 2