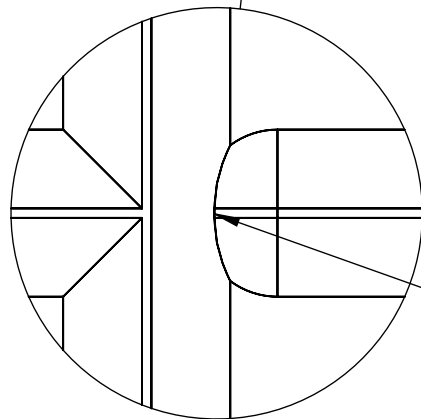
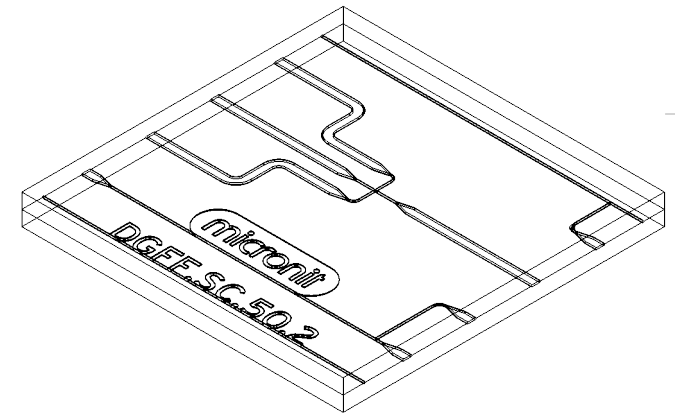
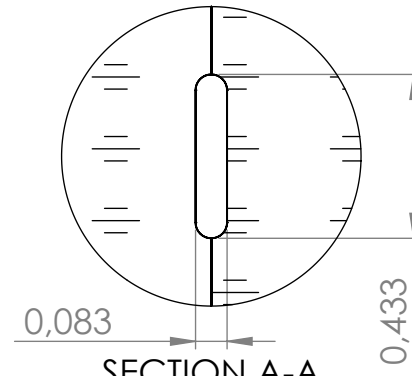


		Length [mm]	#	Volume [μl]
1	Continuous channel	9.9	2	0.30 (0.60 tot.)
2	Dispersed channel	7.5	1	0.22
3	Outlet channel	7.5	1	0.22



Nozzle dimensions:  
0.050x0.072

**micronit**  
microtechnologies

PROPRIETARY AND CONFIDENTIAL

THE INFORMATION CONTAINED IN THIS DRAWING IS THE SOLE PROPERTY OF MICRONIT MICROFLUIDICS BV. ANY REPRODUCTION IN PART OR AS A WHOLE WITHOUT THE WRITTEN PERMISSION OF MICRONIT MICROFLUIDICS BV IS PROHIBITED.

 THIRD ANGLE PROJECTION	UNLESS OTHERWISE SPECIFIED: DIMENSIONS ARE IN MILLIMETERS			SURFACE FINISH: -	Sheet format: <b>A4</b>																															
	SURFACE TREATMENT: -			TOLERANCES: LINEAR: ±. ANGULAR: ±.	DEBUR AND BREAK SHARP EDGES																															
<table border="1"> <tr> <th></th> <th>NAME</th> <th>SIGNATURE</th> <th>DATE</th> </tr> <tr> <td>DRAWN</td> <td>RINI</td> <td></td> <td>6-12-2017</td> </tr> <tr> <td>MOD</td> <td></td> <td></td> <td></td> </tr> <tr> <td>CHK'D</td> <td>WB</td> <td></td> <td>6-12-2017</td> </tr> </table>		NAME	SIGNATURE	DATE	DRAWN	RINI		6-12-2017	MOD				CHK'D	WB		6-12-2017	<table border="1"> <tr> <th>Projectnr.</th> <td>RD0961.005</td> </tr> <tr> <th>MATERIAL:</th> <td>Borosilicate glass</td> </tr> <tr> <th>WEIGHT:</th> <td>0.77</td> </tr> </table>			Projectnr.	RD0961.005	MATERIAL:	Borosilicate glass	WEIGHT:	0.77	<table border="1"> <tr> <th>TITLE:</th> <td colspan="3">Item: 01367 SideConnect Droplet generator flow focussed 50 μm nozzle</td> </tr> <tr> <th>DWG NO.</th> <td>DGFF.SC.50.2</td> <th>REVISION</th> <td>2</td> </tr> </table>			TITLE:	Item: 01367 SideConnect Droplet generator flow focussed 50 μm nozzle			DWG NO.	DGFF.SC.50.2	REVISION	2
	NAME	SIGNATURE	DATE																																	
DRAWN	RINI		6-12-2017																																	
MOD																																				
CHK'D	WB		6-12-2017																																	
Projectnr.	RD0961.005																																			
MATERIAL:	Borosilicate glass																																			
WEIGHT:	0.77																																			
TITLE:	Item: 01367 SideConnect Droplet generator flow focussed 50 μm nozzle																																			
DWG NO.	DGFF.SC.50.2	REVISION	2																																	
SCALE: 5:1		DO NOT SCALE DRAWING		SHEET 1 OF 1																																