



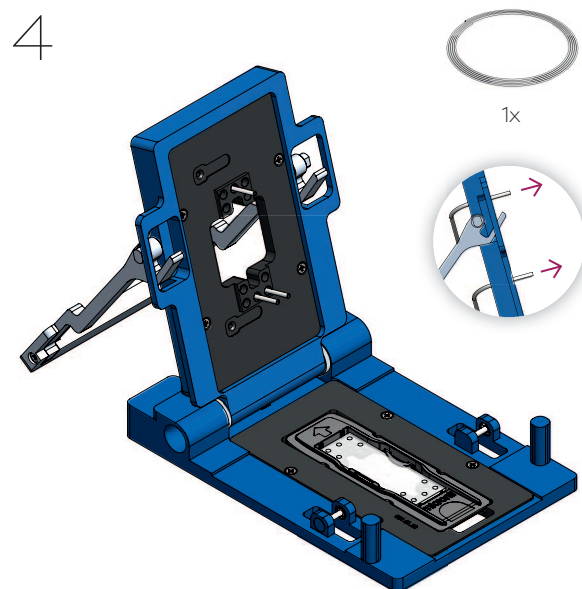
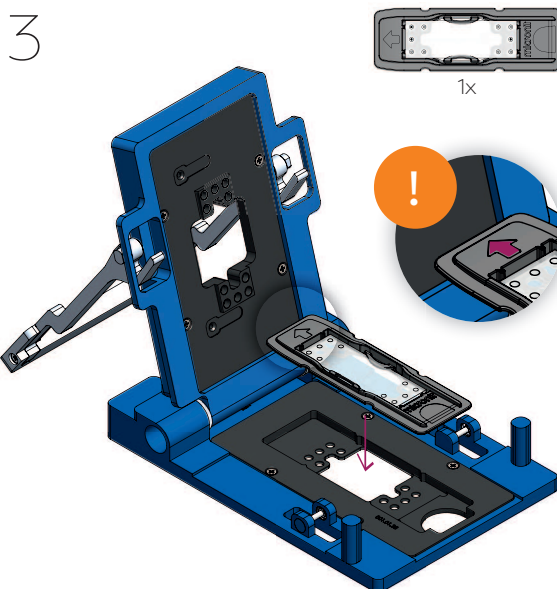
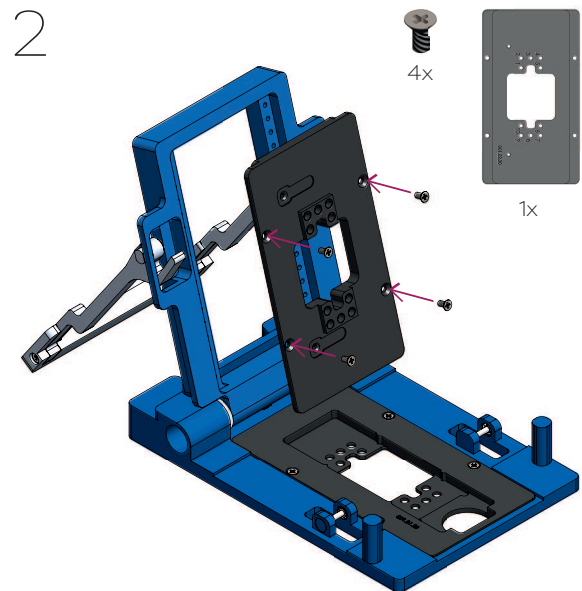
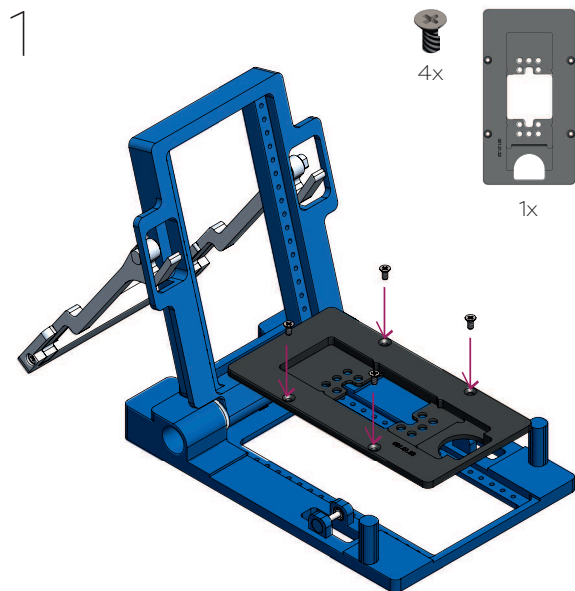
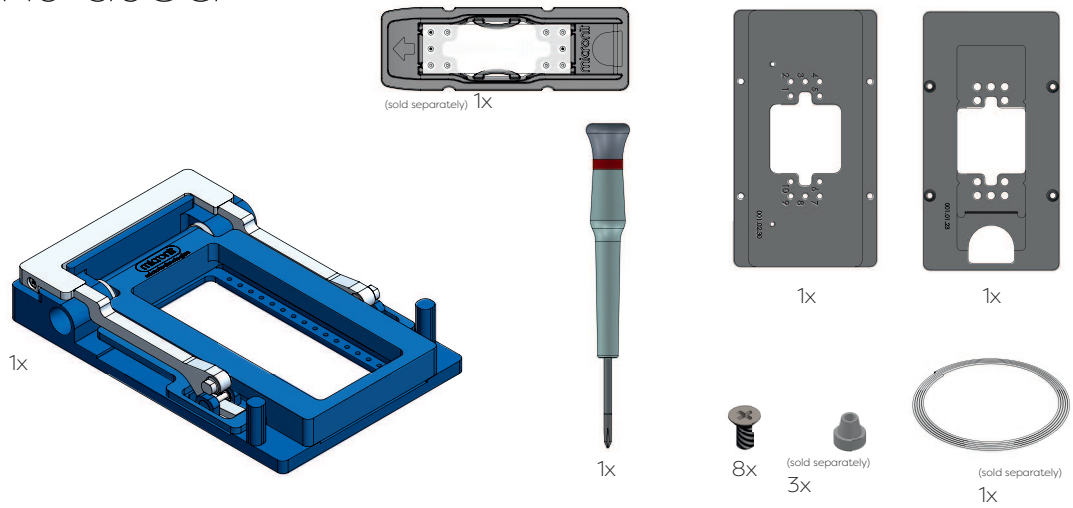
# Fluidic Connect Pro

Droplet generator

Quick start guide v1.4

[micronit.com](http://micronit.com)

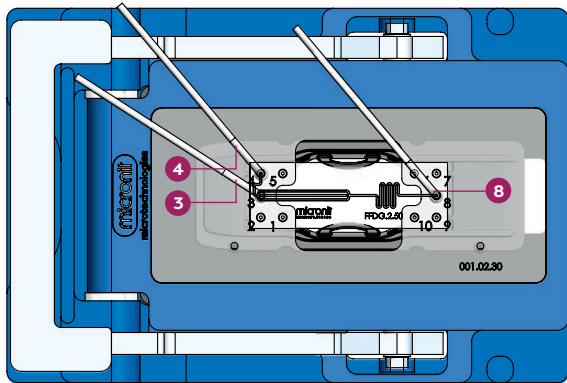
# Items used



5

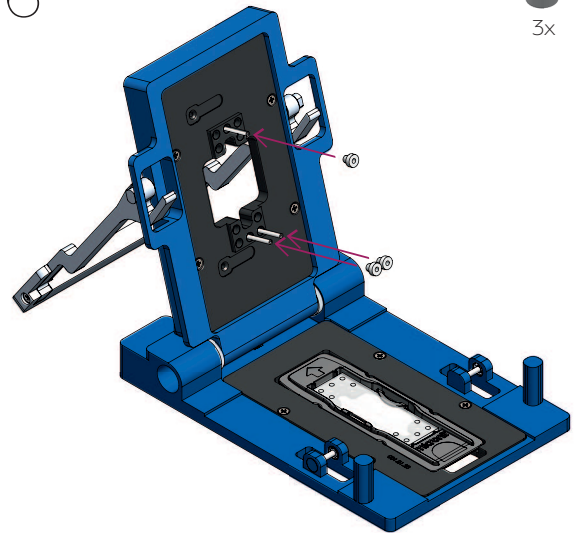
**Tubing layout**

- 3: dispersed phase
- 4: continuous phase
- 8: waste

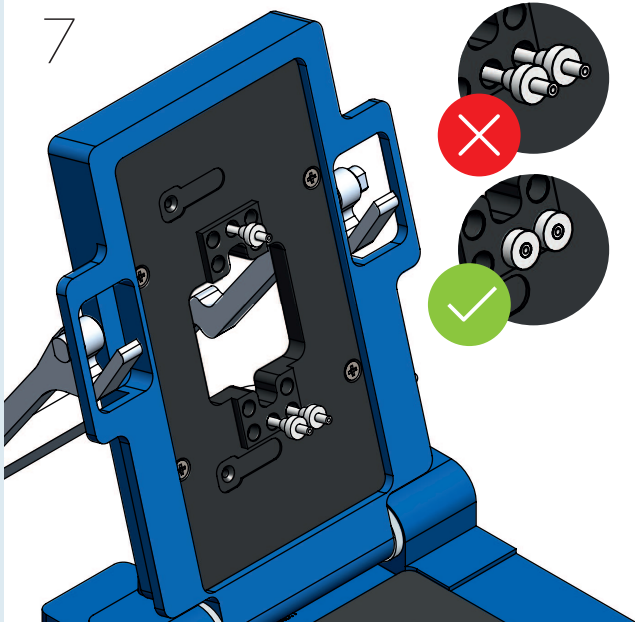


6

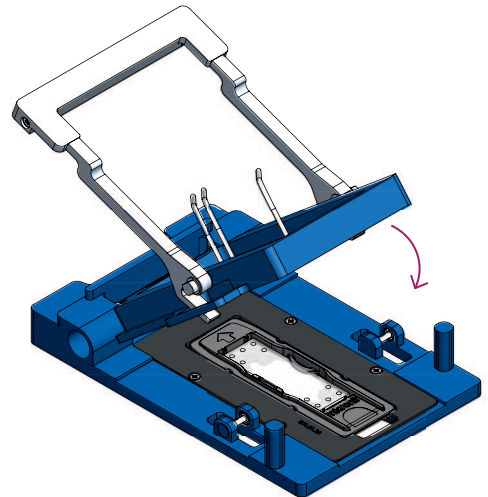
3x



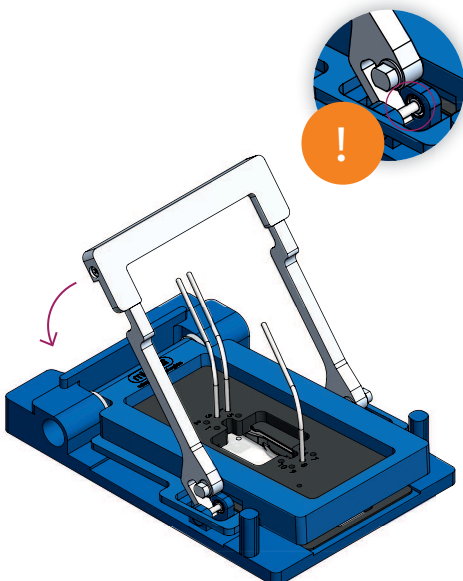
7



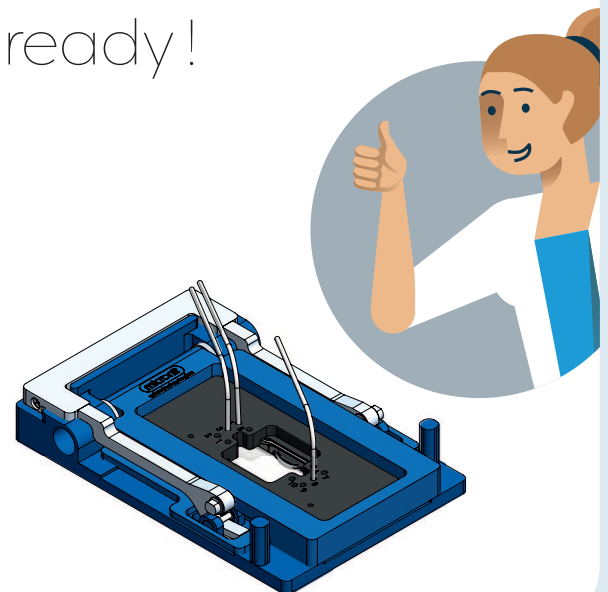
8



9



ready!





Visit [micronit.com](https://micronit.com) for more information  
about our products and services

