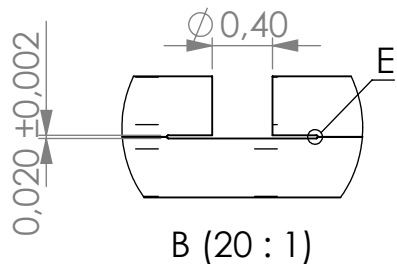
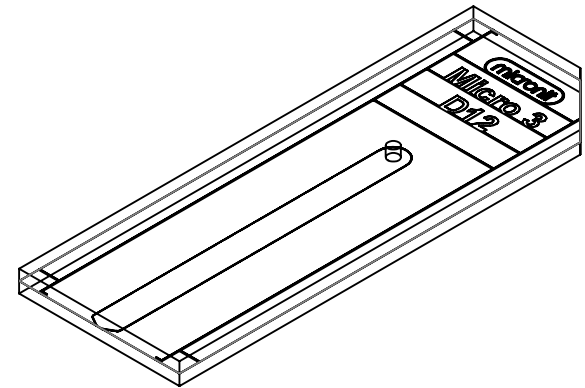
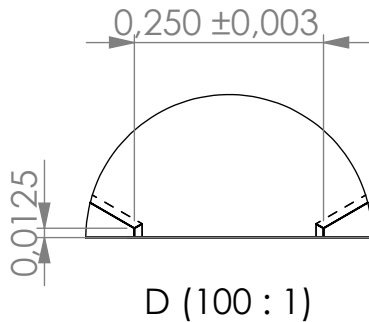
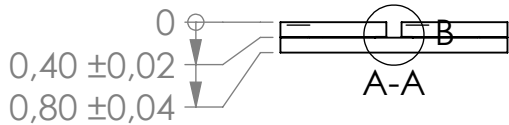
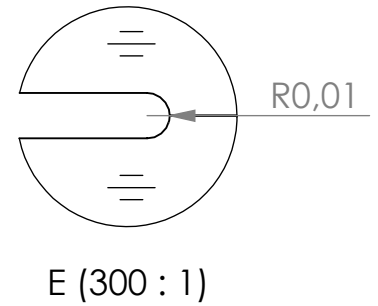


Channel length [mm]	11.47
Channel volume [μL]	0.22
Inlet volume [μL]	0.05



Zone	1.0	First Release	IR	08 Nov 2024
Rev		REVISION NOTE	Mod By	App By
App Date				



ITEM NUMBER:
11007859

THIRD ANGLE PROJECTION

PROPRIETARY AND CONFIDENTIAL
THE INFORMATION CONTAINED IN THIS DRAWING IS THE SOLE PROPERTY OF MICRONIT BV. ANY REPRODUCTION IN PART OR AS A WHOLE WITHOUT THE WRITTEN PERMISSION OF MICRONIT BV IS PROHIBITED.

UNLESS OTHERWISE SPECIFIED:
- DIMENSIONS ARE IN MILLIMETERS
- LINEAR TOLERANCES: ± 0.1
- ANGULAR TOLERANCES: ± 5°
DO NOT SCALE DRAWING

DRAWN BY: JS
DRAWN DATE: 12 Nov 2024
PROJECT NO.:
EXT. REF.:

MATERIAL:
D263-T eco

TITLE:
**Liquid MicroSheet
Nozzle - Micro 3**

DWG NO. **42009923**
REVISION **1.0**
SCALE: 5:1
SHEET FORMAT: A4
SHEET 1 OF 1